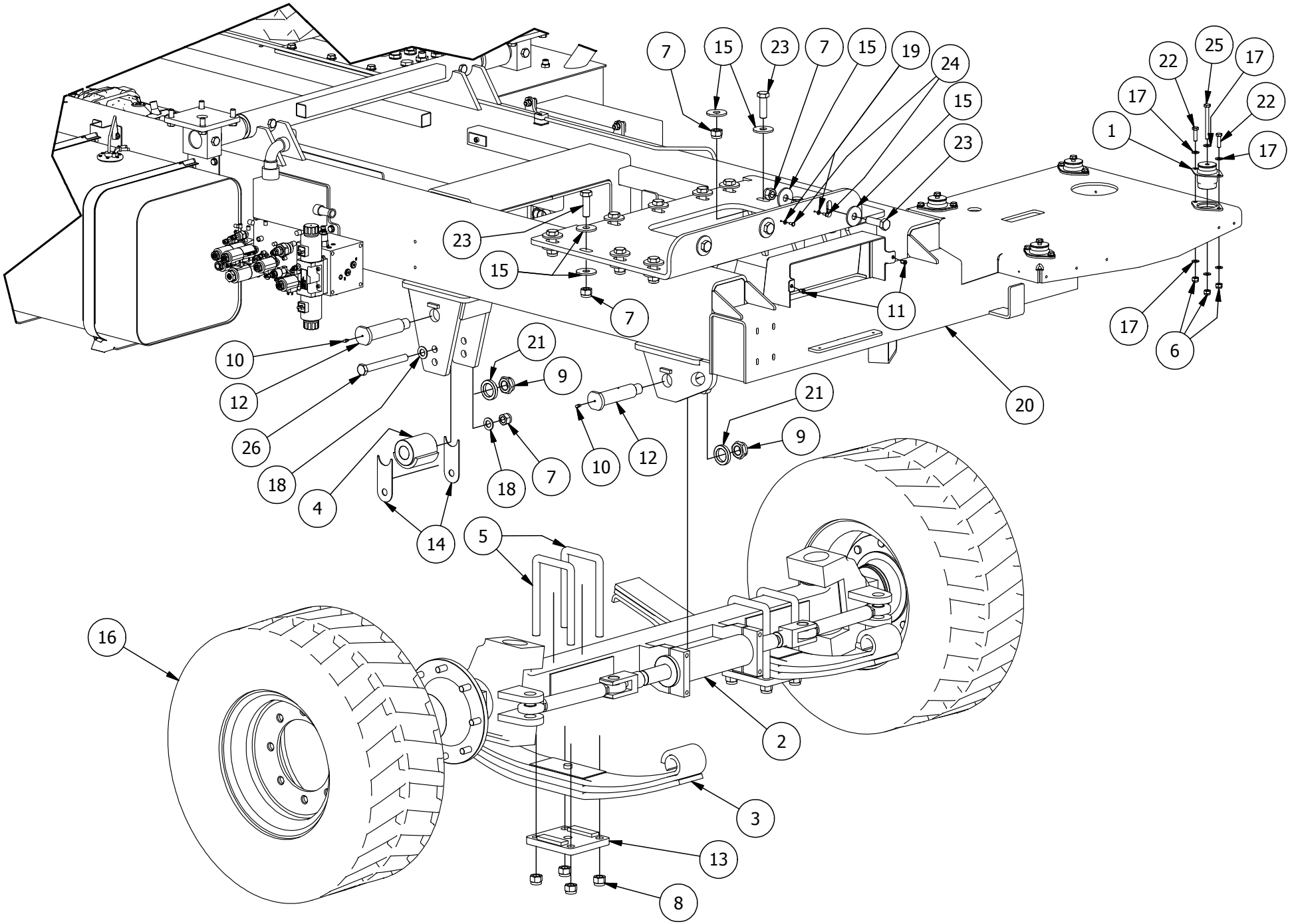


PARTS MANUAL
SELF-PROPELLED FORAGE MIXER
PREMIER

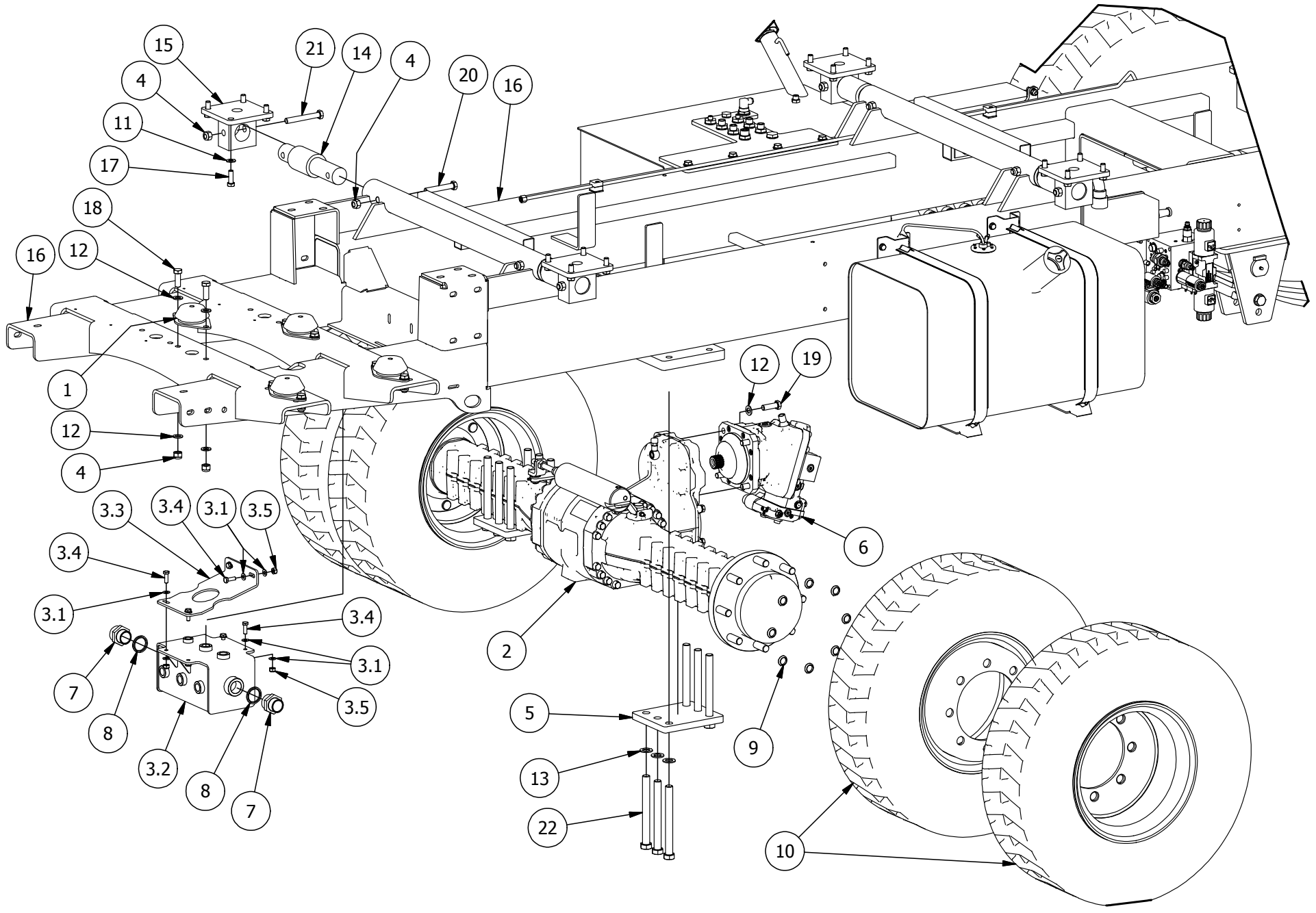
110 - 120 - 140 - 170 - 200





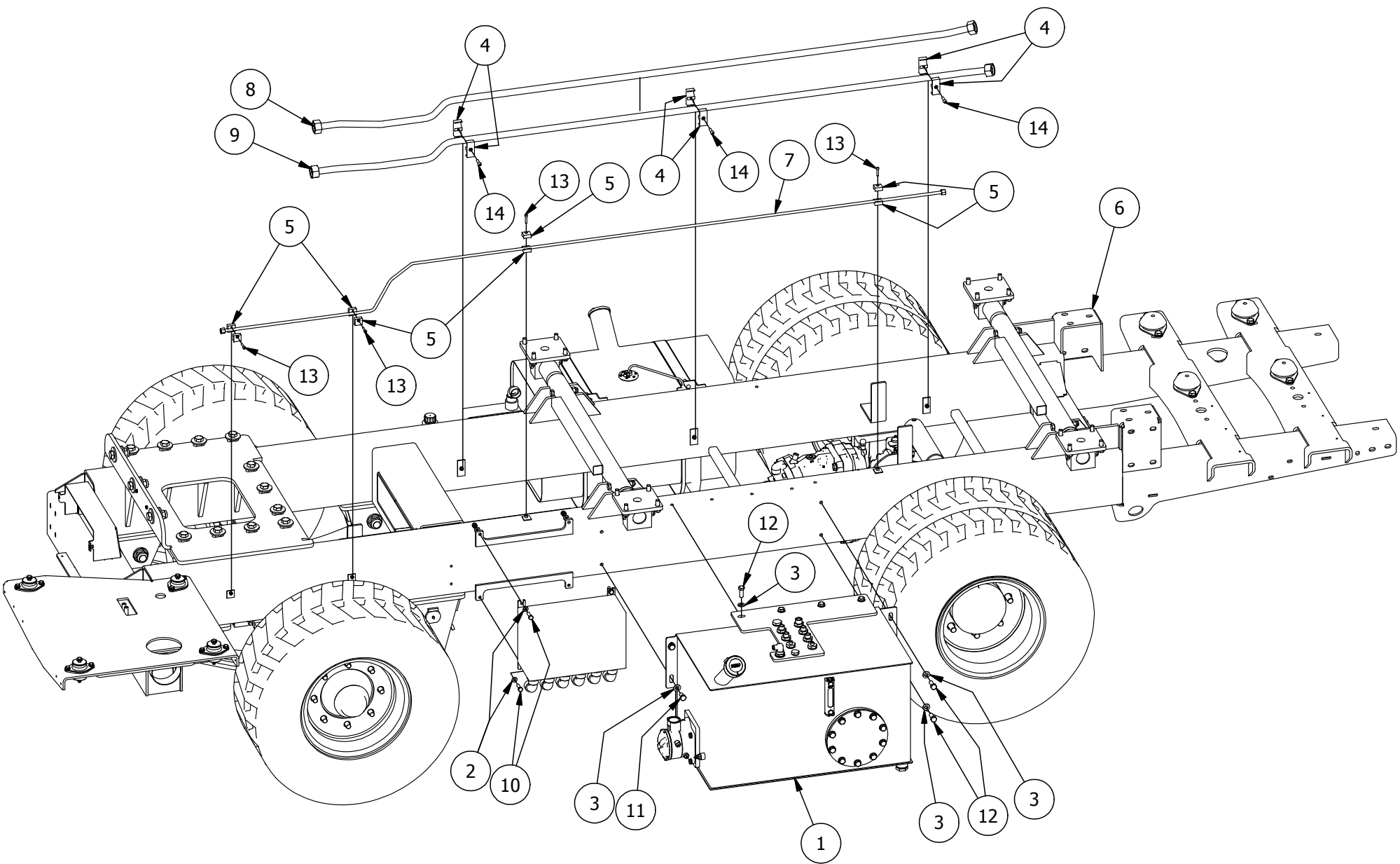
**TABLE NO.
520.011/a-P1****PREMIER UNIT FRAME KIT – FRONT SIDE**

POS.	QTY	CODE	DESCRIPTION
1	4	631.017	CAB VIBRATION DAMPER
2	1	631.032	FRONT AXLE WITH BRAKES
2	1	631.584	FRONT AXLE WITHOUT BRAKES
3	2	631.042	THREE-LEAF SPRING
3	2	631.596	FOUR-LEAF SPRING
4	2	520.104	BUSH WITH WEAR PIECE FOR LEAF SPRING SLIDE
5	4	520.075	U-BOLT FOR AXLE CONNECTION WITH THREE-LEAF SPRING
5	4	530.031	U-BOLT FOR AXLE CONNECTION WITH FOUR-LEAF SPRING
5	4	520.953	U-BOLT FOR AXLE CONNECTION WITH FOUR-LEAF SPRING AND BRAKED AXLE
6	16	631.306	LOCKNUT M10 UNI 7473 8.8 Zn
7	16	600.630	LOCKNUT M20 UNI 7473 8.8 Zn
8	8	631.383	LOCKNUT M22 1,5 UNI 7473 Cl.10
9	4	631.371	LOCKNUT M30 low UNI 7474 8.8 Zn
10	4	600.124	GREASE NIPPLE M6
11	2	631.129	STEEL CYLINDRICAL-HEAD HEXAGONAL-STEM M6 INSERT
12	4	631.051	LEAF SPRING PIN
13	2	520.061	JOINT PLATE FOR FRONT AXLE WITH 2 U-BOLTS
13	2	530.032	JOINT PLATE FOR FRONT AXLE WITH 4 U-BOLTS
14	4	631.050	SIDE WEAR PLATE WITH THREE-LEAF SPRING
14	4	631.728	SIDE WEAR PLATE WITH FOUR-LEAF SPRING
15	28	520.533	WASHER Ø60 Ø HOLE 20.5 TH.5 mm
16	2	631.163	COMPLETE WHEEL 315/70 R15 CONTINENTAL
16	2	631.589	COMPLETE WHEEL 300/70 R15 SOLIDEAL
17	43	600.322	FLAT WASHER Øi10.5 UNI 6592 8.8 Zn
18	4	600.632	FLAT WASHER Øi21 UNI 6592 8.8 Zn
19	2	600.514	FLAT WASHER Øi6.4 UNI 6592 8.8 Zn
20	1	520.010/a	SELF-PROPELLED UNIT WITH FRONT UNLOADING
21	4	520.062	HOT-ROLLED ROD Ø60 S
22	12	600.641	SCREW TE M10 x 35 UNI 5739 8.8 Zn
23	14	631.369	SCREW TE M20 x 65 UNI 5739 10.9 Zn
24	2	630.001	SCREW TE M6 x 12 UNI 5739 8.8 Zn
25	4	600.208	SCREW TE M10 x 100 UNI 5737 8.8 Zn
26	2	631.372	SCREW TE M20 x 180 UNI 5737 10.9 Zn



**TABLE NO.
520.011/a-P2****PREMIER UNIT FRAME KIT – BACK SIDE**

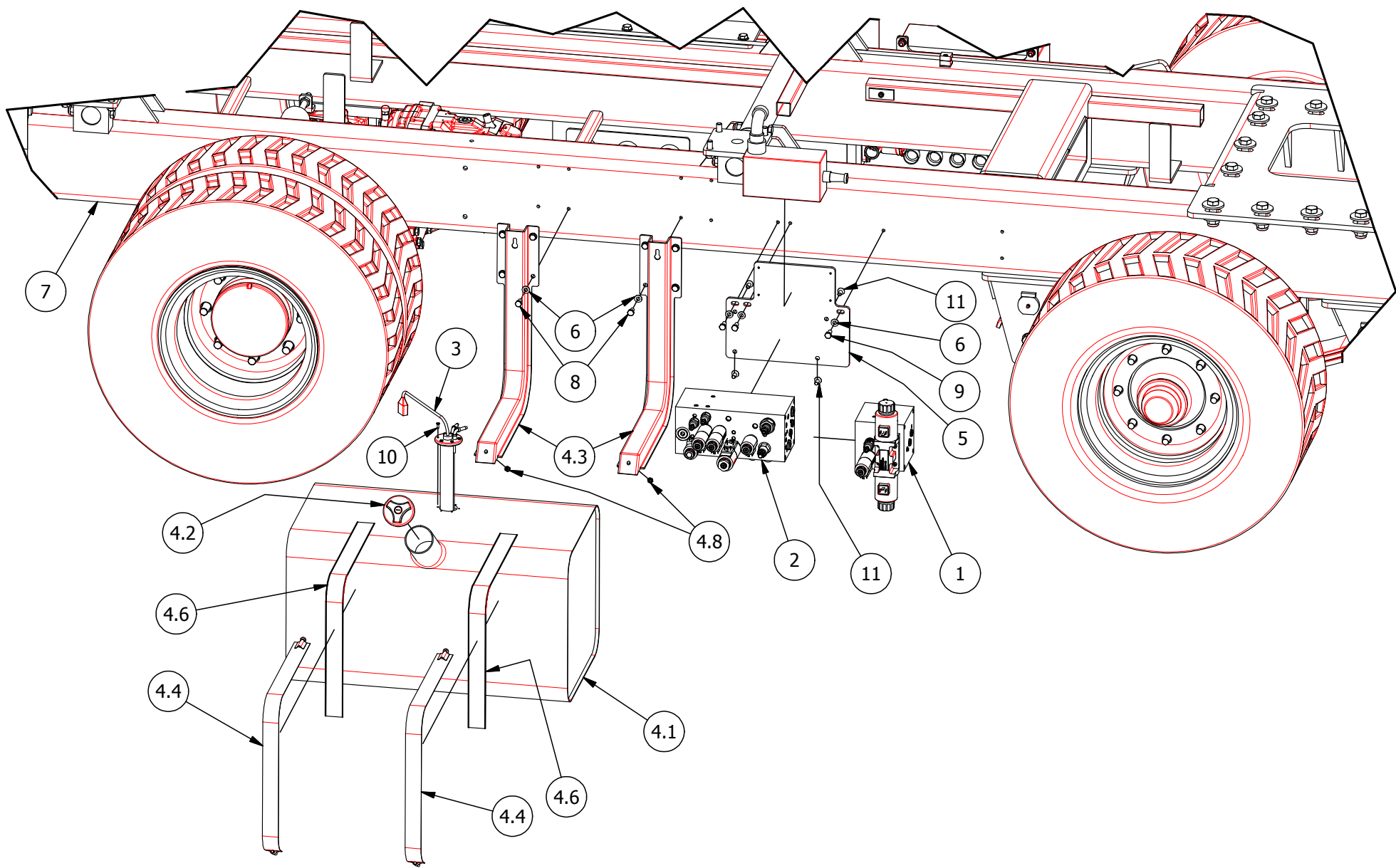
POS.	QTY	CODE	DESCRIPTION
1	4	631.085	VIBRATION DAMPER
2	1	631.086	DIFFERENTIAL AXLE
3	1	520.389	RX BLOCK WITH SUPPORT
3.1	12	600.322	FLAT WASHER Øi10,5 UNI 6592 8.8 Zn
3.2	1	520.232	RX BLOCK
3.3	1	525.319	BENT SHEET TH. 6mm FOR RX BLOCK SUPPORT
3.4	6	600.148	SCREW TE M10 x 30 UNI 5739 8.8 Zn
3.5	6	600.029	NUT CL M10 DIN 980 KL 8.8 Zn
4	16	600.197	LOCKNUT M16 UNI 7473 8.8 Zn
5	2	520.225	BACK AXLE FIXING SHEET TH. 20mm
6	1	631.047	DRIVE
7	2	632.026	REDUCING NIPPLE 1" 1/4 - 1" 1/2 GAS
8	2	632.025	WASHER FOR BONDED SEALS RG 1"1/4 GAS
9	16	631.229	CONICAL WASHER FOR TWIN WHEELS ON M22 COLUMN
10	4	631.164	COMPLETE TWIN WHEEL 8.25 R15 CONTINENTAL
10	4	631.590	COMPLETE TWIN WHEEL GEM. 8.25 R15 SOLIDEAL
3	24	600.188	FLAT WASHER Øi15 UNI 6592 8.8 Zn
12	20	600.031	FLAT WASHER Øi17 UNI 6592 8.8 Zn
13	12	600.042	FLAT WASHER Øi23 UNI 6592 8.8 Zn
14	4	631.020	SENSOR Ø54mm L=305mm WITH CONNECTOR
15	4	520.013/a	SENSOR SUPPORT D.54
7	1	520.010/a	SELF-PROPELLED UNIT WITH FRONT UNLOADING
17	16	600.310	SCREW TE M14 x 40 UNI 5739 8.8 Zn
18	8	610.167	SCREW TE M16 x 45 UNI 5739 8.8 Zn
19	4	610.510	SCREW TE M16 x 50 UNI 5739 10.9 Zn
20	4	600.178	SCREW TE M16 x 100 UNI 5737 8.8 Zn
21	4	600.392	SCREW TE M16 x 120 UNI 5737 8.8 Zn
22	12	631.373	SCREW TE M22 x 220 UNI 5737 10.9 Zn



**TABLE NO.
520.011/a-P3**

PREMIER UNIT FRAME KIT – LEFT SIDE

POS.	QTY	CODE	DESCRIPTION
1	1	520.742	HYDRAULIC OIL TANK ASSEMBLY
2	43	600.322	FLAT WASHER Øi10,5 UNI 6592 8.8 Zn
3	24	600.188	FLAT WASHER Øi15 UNI 6592 8.8 Zn
4	6	631.195	SEMICOLLAR CLCF3 25/25 PP BLACK (DOUBLE TUBE D25)
5	8	610.038	SEMICOLLAR SINGLE Ø10 BLACK (TUBE D10)
6	1	520.010/a	SELF-PROPELLED FRAME WITH FRONT UNLOADING
7	1	520.903	TUBE Ø10 TH. 2mm FOR BACK BRAKE
8	1	520.434	TUBE Ø25 TH. 3MM FOR DELIVERY OF CUTTER ROTOR MOTOR ON FRAME
9	1	520.435	TUBE Ø25 TH. 3MM FOR RETURN OF CUTTER ROTOR MOTOR ON FRAME
10	12	600.641	SCREW TE M10 x 35 UNI 5739 8.8 Zn
11	2	610.155	SCREW TE M14 x 25 UNI 5739 8.8 Zn
12	6	600.065	SCREW TE M14 x 35 UNI 5739 8.8 Zn
13	4	610.040	SCREW TCEI M6x30 UNI 5931 8.8 Zn
14	3	600.408	SCREW TCEI M8x30 UNI 5931 8.8 Zn



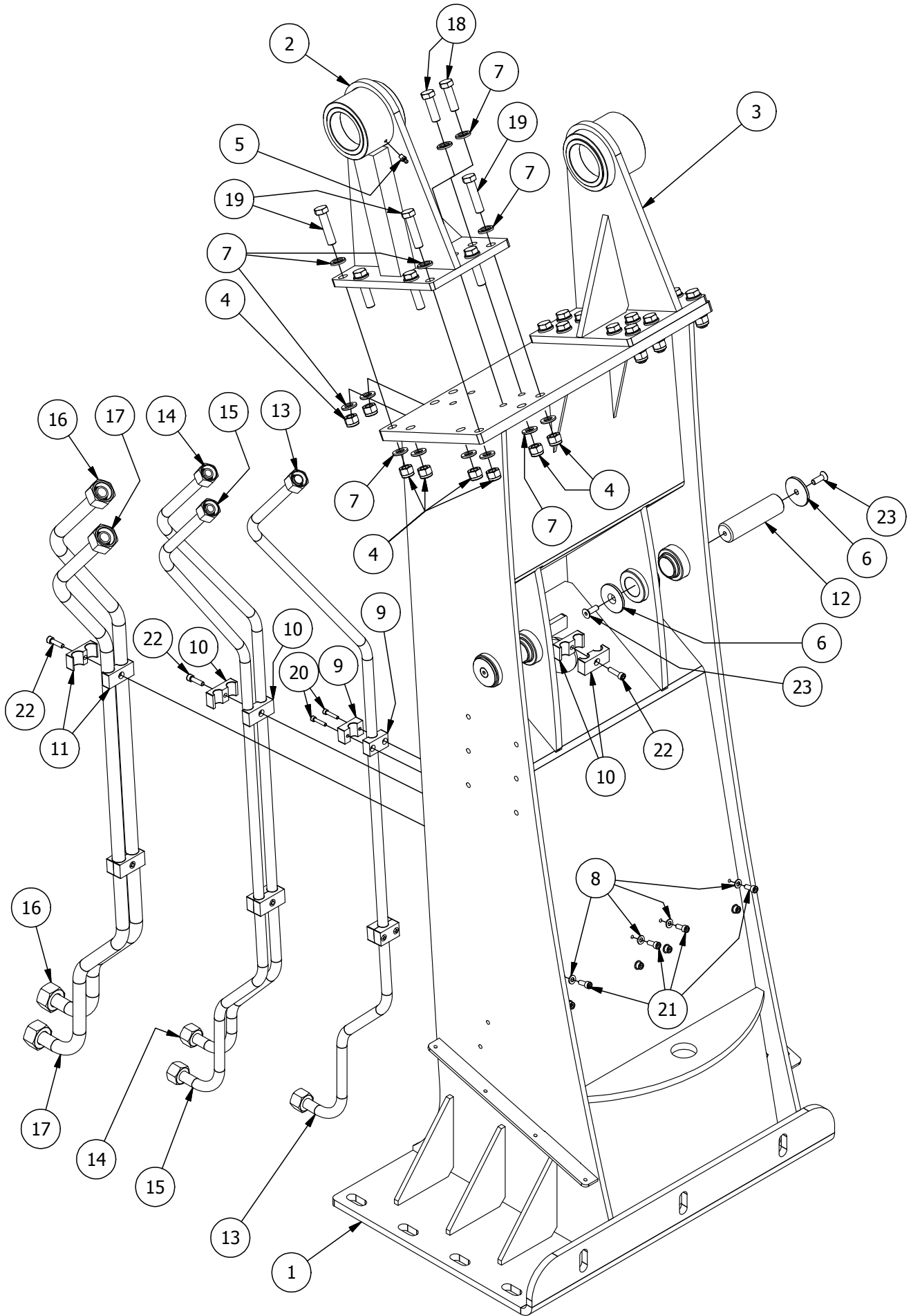
**TABLE NO.
520.011/a-P4**

PREMIER UNIT FRAME KIT – RIGHT SIDE

POS.	QTY	CODE	DESCRIPTION
1	1	631.161	COMATROL CUTTER BLOCK
2	1	631.160	COMATROL SERVICE BLOCK
3	1	631.274	DIESEL FLOAT
4	1	631.117	DIESEL TANK KIT
4.1	1	631.230	DIESEL TANK 450x450x800 150L WITH LONG FILLER
4.2	1	631.231	HOMOLOGATED PLUG WITH KEY
4.3	2	631.206	DIESEL TANK SUPPORT
4.4	2	631.232	450x450 FE STRIP WITH NAIL AND THREADED NUT
4.6	2	631.234	RUBBER UNDERSTRIP 850mm
4.8	2	600.553	NUT M8 UNI 5587 8.8 Zn
5	1	520.411/a	COMATROL SET SUPPORTING SHEET TH.8mm
6	43	600.322	FLAT WASHER Øi10.5 UNI 6592 8.8 Zn
7	1	520.010/a	SELF-PROPELLED UNIT WITH FRONT UNLOADING
8	8	600.227	SCREW TE M10 x 20 UNI 5739 8.8 Zn
9	3	600.006	SCREW TE M10 x 25 UNI 5739 8.8 Zn
10	6	630.100	SCREW TE M4 x 12 UNI 5739 8.8 Zn
11	4	631.316	SCREW TSPEI M10 x25 UNI 5933 8.8 Zn

**TABLE NO.
520.421**

PREMIER CUTTER COLUMN ASSEMBLY



**TABLE NO.
520.421**

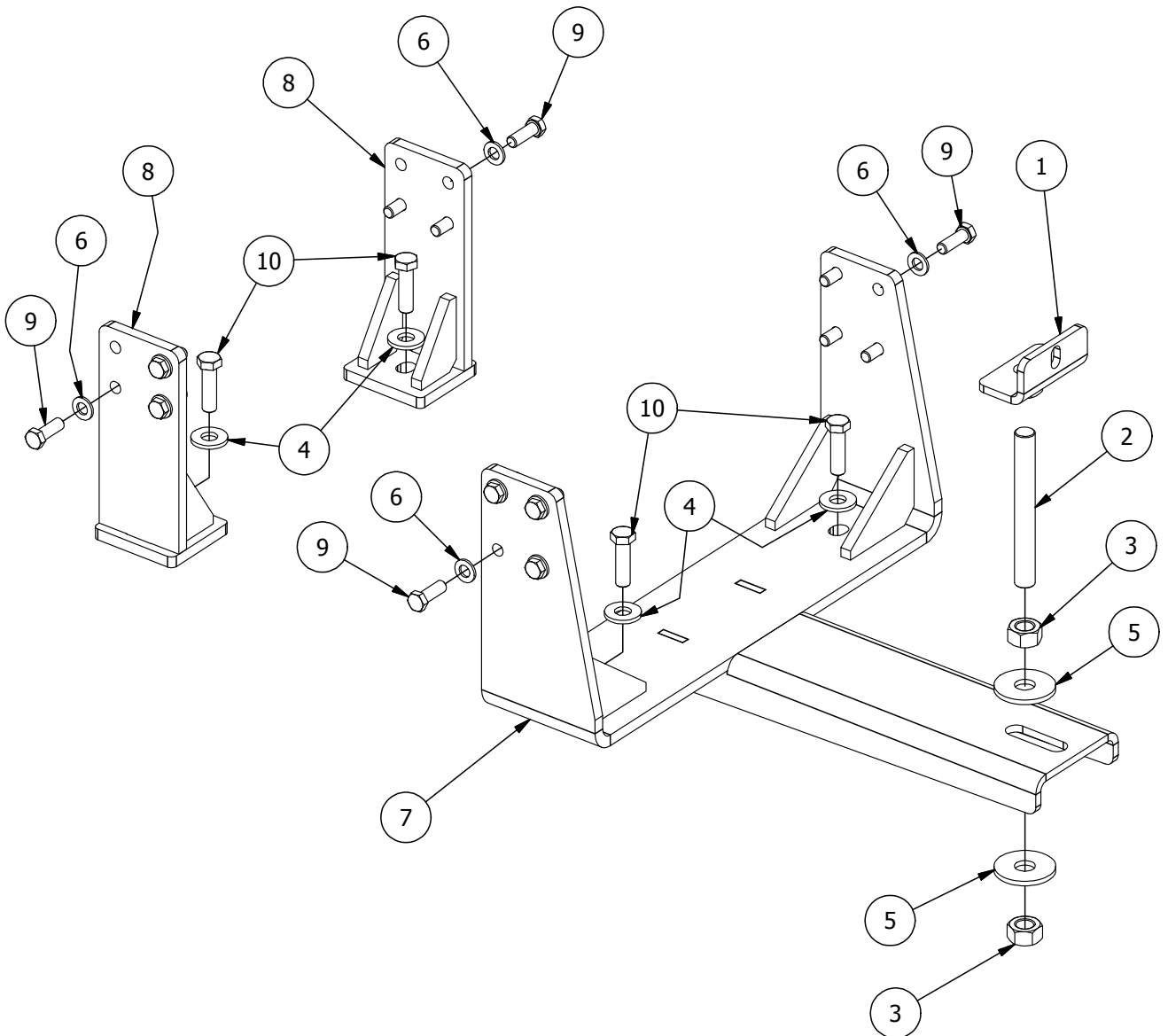
PREMIER CUTTER COLUMN ASSEMBLY

POS.	QTY	CODE	DESCRIPTION
1	1	520.777	CUTTER SUPPORT COLUMN 140
1	1	520.220	CUTTER SUPPORT COLUMN 170-200
2	1	520.222	RIGHT CUTTER SUPPORT 140-170
2	1	520.453	RIGHT CUTTER SUPPORT 200
3	1	520.223	LEFT CUTTER SUPPORT 140-170
3	1	520.454	LEFT CUTTER SUPPORT 200
4	16	600.197	LOCKNUT M16 UNI 7473 8.8 Zn
5	2	600.034	GREASE NIPPLE M8
6	4	520.935	FLANGED SHEET TH.5mm FOR CYLINDER ANCHORAGE
7	40	631.320	WASHER C50 Øi17 DIN 6916
8	8	600.115	FLAT WASHER Øi8,4 UNI 6592 8.8 Zn
9	4	631.194	SEMICOLLAR CLC4 20 PP BLACK (SINGLE TUBE D20)
10	6	631.193	SEMICOLLAR CLCF3 20/20 PP BLACK (DOUBLE TUBE D20)
11	4	631.195	SEMICOLLAR CLCF3 25/25 PP BLACK (DOUBLE TUBE D25)
12	2	520.422/a	Ø40 DRAWN PLUG FOR CUTTER COLUMN CYLINDER COUPLING
13	1	520.427	TUBE Ø20 TH.1.5mm FOR CUTTER ROTOR MOTOR DRAINAGE
14	1	520.426	TUBE Ø20 TH.3mm FOR DELIVERY OF CONVEYOR ROLL MOTOR
15	1	520.425	TUBE Ø20 TH.3mm FOR RETURN OF CONVEYOR ROLL MOTOR
16	1	520.424	TUBE Ø25 TH.3mm FOR DELIVERY OF CUTTER ROTOR MOTOR
17	1	520.423	TUBE Ø25 TH.3mm FOR RETURN OF CUTTER ROTOR MOTOR
18	8	610.510	SCREW TE M16 x 50 UNI 5739 10.9 Zn
19	16	631.374	SCREW TE M16 x 65 UNI 5739 10.9 Zn
20	4	610.040	SCREW TCEI M6x30 UNI 5931 8.8 Zn
21	8	630.259	SCREW TCEI M8x20 UNI 5931 8.8 Zn
22	5	600.408	SCREW TCEI M8x30 UNI 5931 8.8 Zn
23	4	631.365	SCREW TSPEI M10 x30 UNI 5933 8.8 Zn

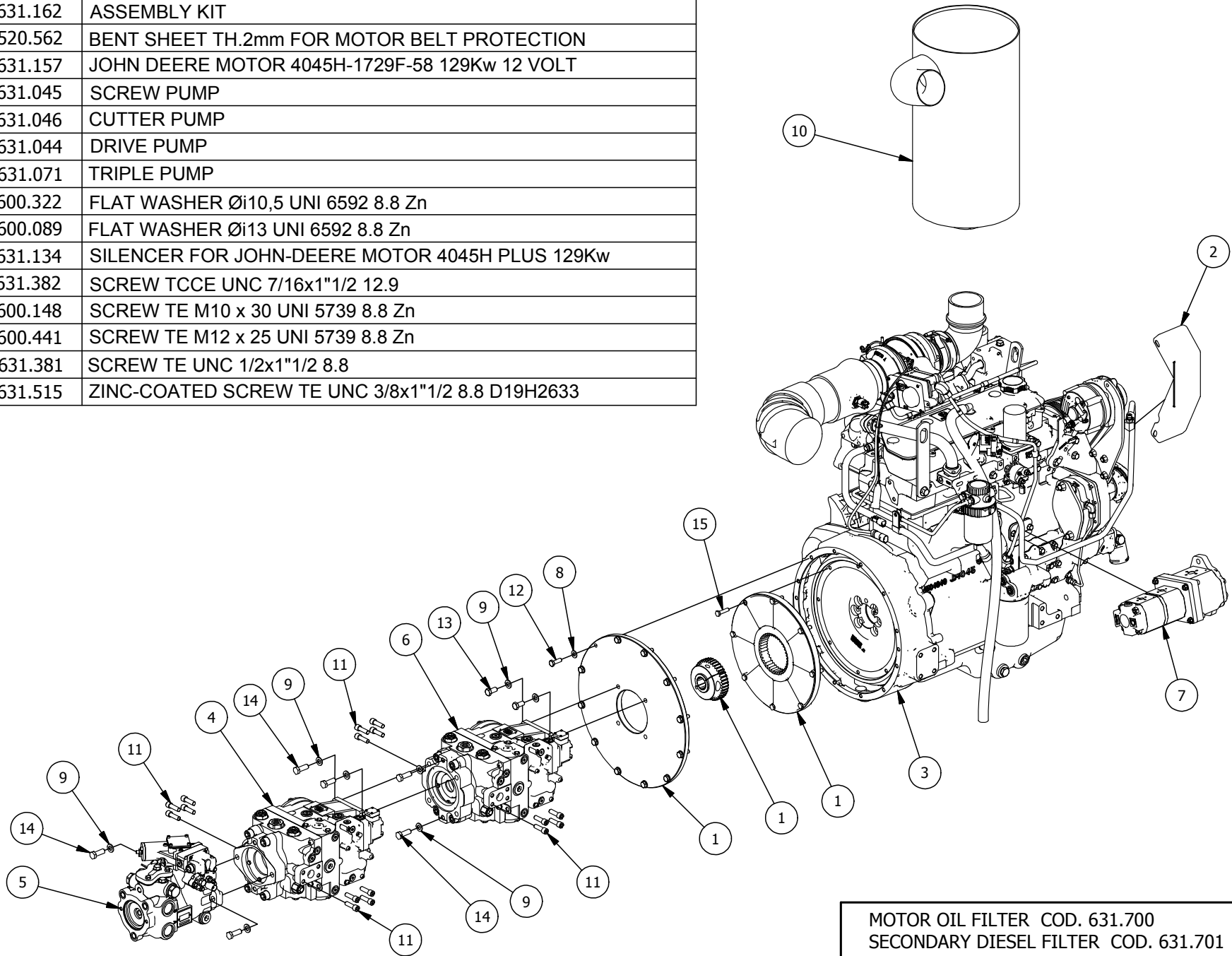
**TABLE NO.
520.414**

J.D. 4045H PLUS MOTOR SUPPORT

POS.	QTY	CODE	DESCRIPTION
1	1	520.298	HYDRAULIC PUMP FIXING WING
2	1	525.445/a	ZINC-COATED THREADED BAR M20 L.220 FOR PUMP SUPPORT
3	2	600.257	NUT M20 UNI 5588 8.8 Zn
4	4	520.948	WASHER Øe 36mm Øi 16.4mm TH.4mm
5	2	520.533	WASHER Ø60 Ø HOLE 20.5 TH.5mm
6	14	600.089	FLAT WASHER Øi13 UNI 6592 8.8 Zn
7	1	520.300	FRONT CRADLE MOTOR SUPPORT
8	2	520.299	RIGHT/LEFT BACK MOTOR SUPPORT
9	14	620.393	SCREW TE M12 x 35 UNI 5739 10.9 Zn
10	4	630.119	SCREW TE M14 x 50 UNI 5739 8.8 Zn



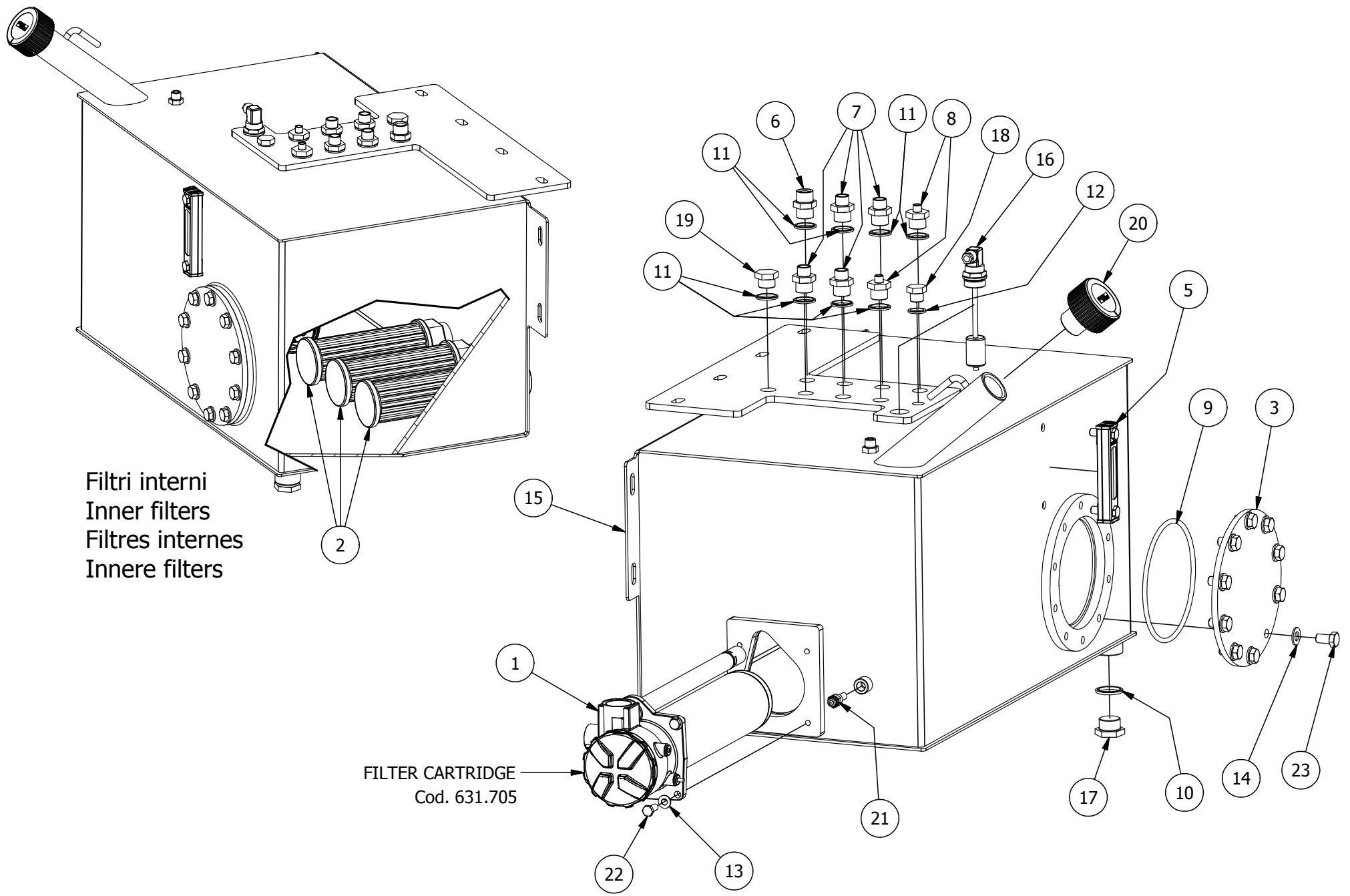
POS.	QTY	CODE	DESCRIPTION
1	1	631.162	ASSEMBLY KIT
2	1	520.562	BENT SHEET TH.2mm FOR MOTOR BELT PROTECTION
3	1	631.157	JOHN DEERE MOTOR 4045H-1729F-58 129Kw 12 VOLT
4	1	631.045	SCREW PUMP
5	1	631.046	CUTTER PUMP
6	1	631.044	DRIVE PUMP
7	1	631.071	TRIPLE PUMP
8	12	600.322	FLAT WASHER Øi10,5 UNI 6592 8.8 Zn
9	12	600.089	FLAT WASHER Øi13 UNI 6592 8.8 Zn
10	1	631.134	SILENCER FOR JOHN-DEERE MOTOR 4045H PLUS 129Kw
11	16	631.382	SCREW TCCE UNC 7/16x1"1/2 12.9
12	12	600.148	SCREW TE M10 x 30 UNI 5739 8.8 Zn
13	4	600.441	SCREW TE M12 x 25 UNI 5739 8.8 Zn
14	8	631.381	SCREW TE UNC 1/2x1"1/2 8.8
15	8	631.515	ZINC-COATED SCREW TE UNC 3/8x1"1/2 8.8 D19H2633



MOTOR OIL FILTER COD. 631.700
 SECONDARY DIESEL FILTER COD. 631.701
 DIESEL PREFILTER COD. 631.702

TABLE NO.
520.431

MOTOR AND HYDRAULIC PUMP ASSEMBLY



Filtri interni
Inner filters
Filtres internes
Innere filters

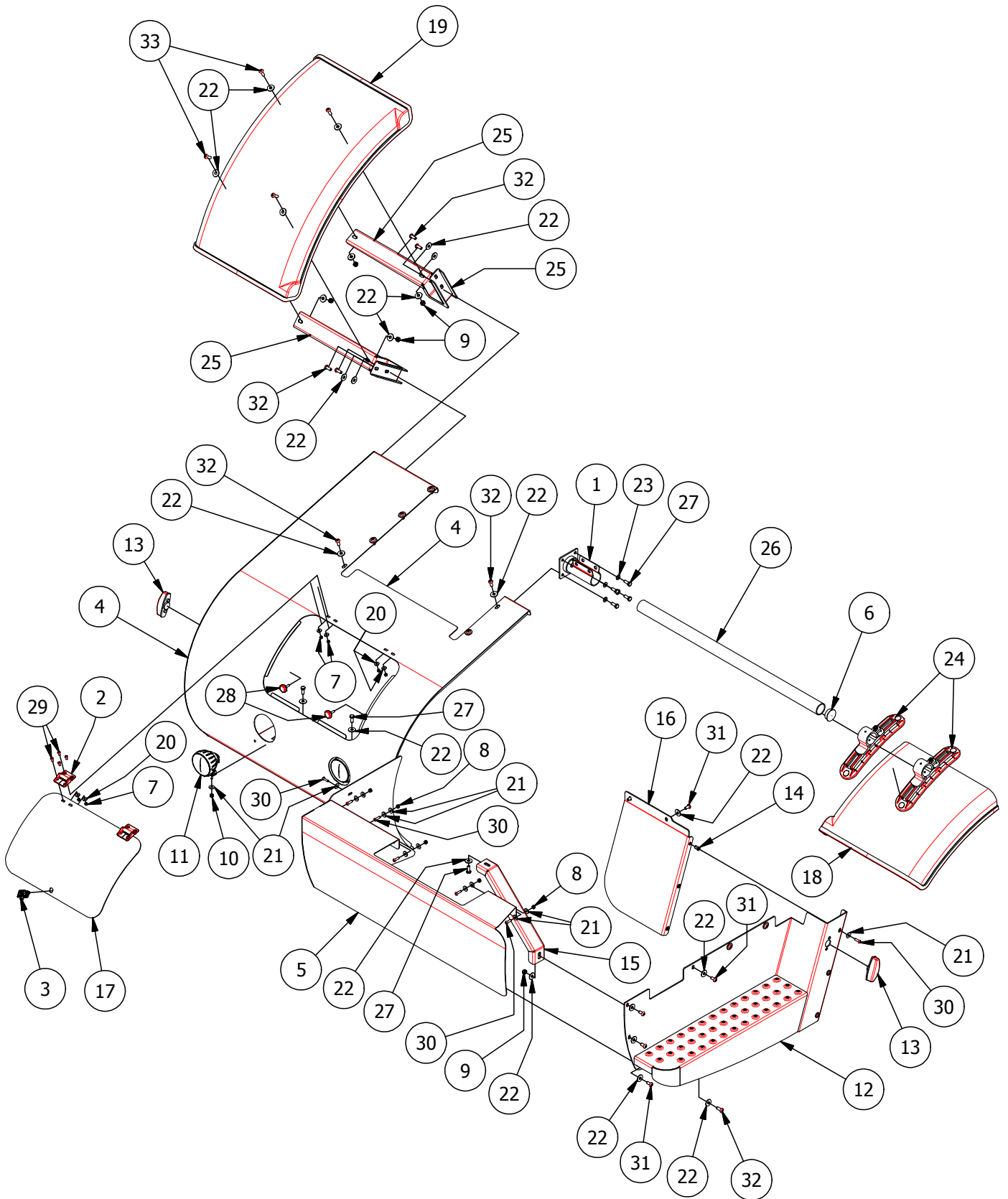
FILTER CARTRIDGE
Cod. 631.705

**TABLE NO.
520.742****HYDRAULIC OIL TANK FOR SELF-PROPELLED UNIT**

POS.	QTY	CODE	DESCRIPTION
1	1	631.041	ARGO FILTER
2	3	631.114	IMMERSED FILTER FOR OIL TANK
3	1	520.029	INSPECTION FLANGE FOR OIL TANK
4	1	631.570	CLOGGING GAUGE FOR ARGO ELECTRIC FILTER
5	1	631.023	LEVEL GAUGE WITH THERMOMETER
6	1	600.504	GAS NIPPLE M 3/4" GAS - M 3/4"
7	4	632.071	REDUCED GAS NIPPLE 3/4" - 1/2"
8	2	632.322	REDUCED GAS NIPPLE 3/4" - 1/4"
9	1	631.098	O-RING 8725 Øi 183.5 Ø7
10	1	632.023	BONDED WASHER 1" FOR GAS
11	8	632.093	BONDED WASHER SEALS RG 3/4"
12	1	630.048	BONDED COPPER WASHER 1/2" WITH GASKET
13	4	600.322	FLAT WASHER Øi10,5 UNI 6592 8.8 Zn
14	10	600.188	FLAT WASHER Øi15 UNI 6592 8.8 Zn
15	1	520.743	HYDRAULIC OIL TANK 175L.
16	1	631.103	ELECTROMAGNETIC LEVEL SENSOR
17	1	632.019	GAS PLUG 1"
18	1	632.001	PLUG 1/2"
19	1	632.051	PLUG 3/4"
20	1	631.052	ARGO OIL TANK PLUG
21	1	631.101	THERMISTOR M16x1.5
22	4	600.006	SCREW TE M10 x 25 UNI 5739 8.8 Zn
23	10	610.155	SCREW TE M14 x 25 UNI 5739 8.8 Zn

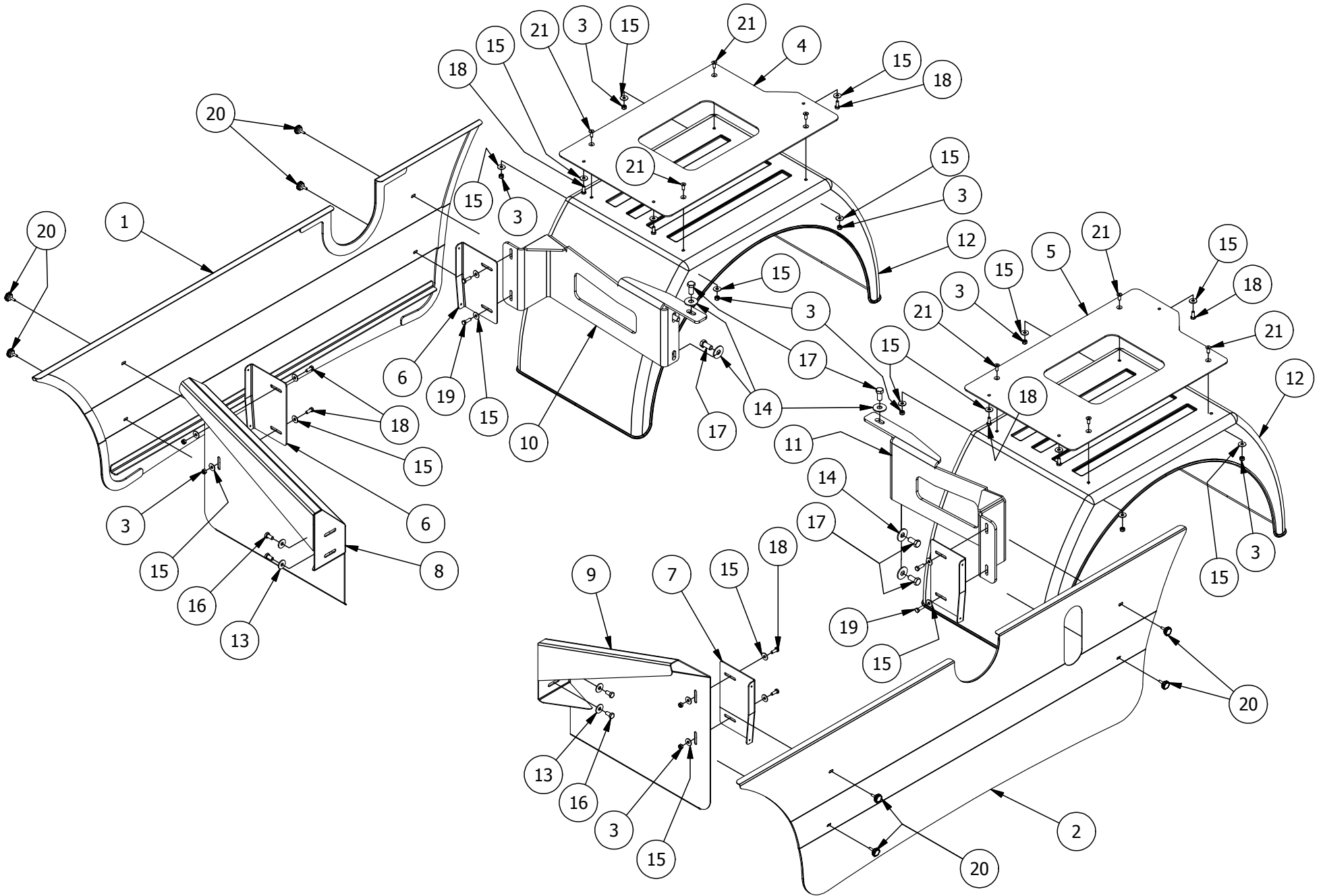
TABLE NO.
520.418/a

FRONT MOTOR COMPARTMENT KIT



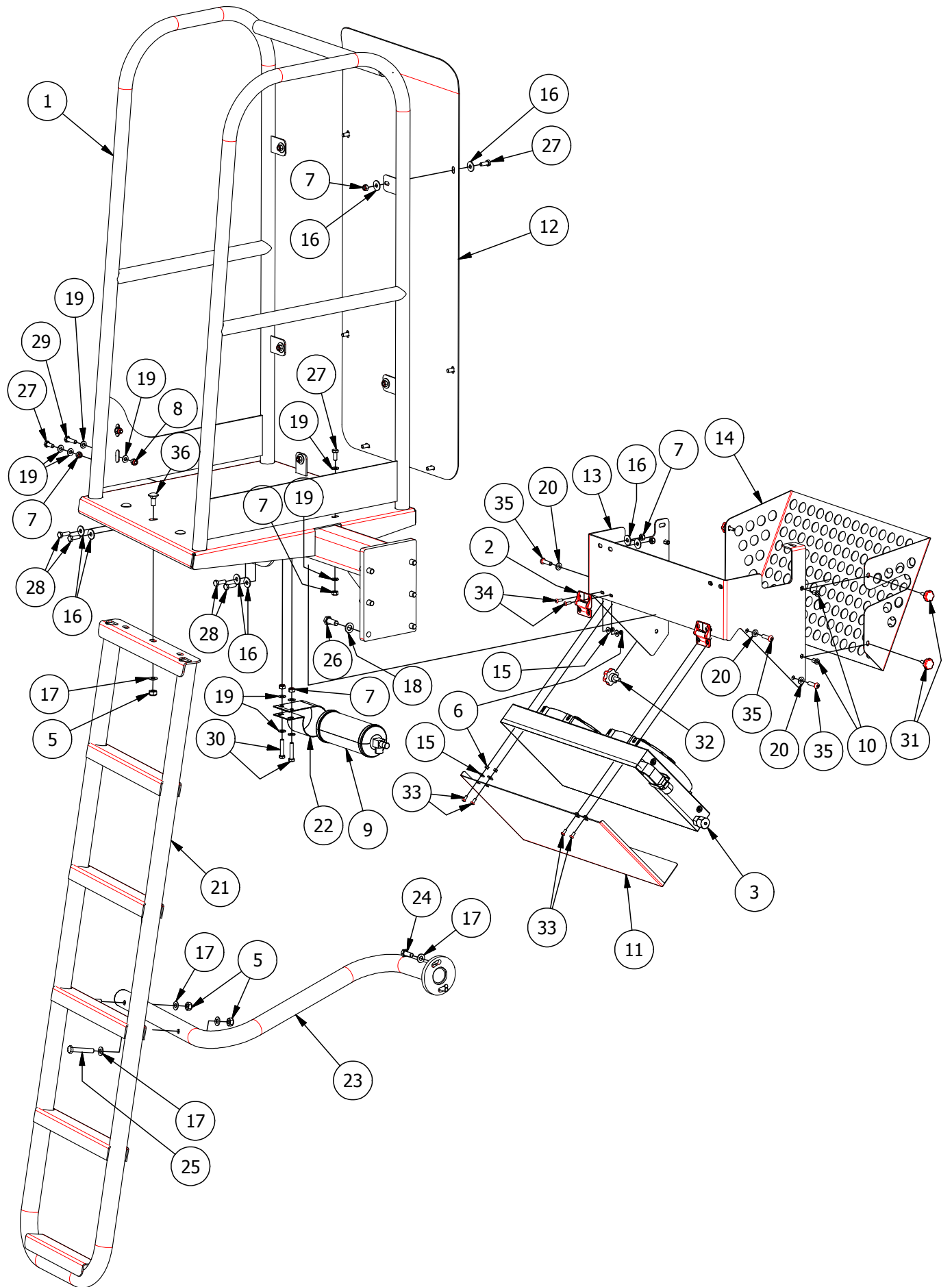
**TABLE NO.
520.418/a****FRONT MOTOR COMPARTMENT KIT**

POS.	QTY	CODE	DESCRIPTION
1	1	631.187	FENDER SUPPORT COUPLING
2	2	631.078	HINGE 57X51 HOLES Ø5.2 CENTRE DISTANCE 34mm
3	1	631.137	LATCH
4	1	520.230/a	CENTRAL FRONT STD COMPARTMENT
4	1	520.917	CENTRAL FRONT COMPARTMENT FOR HOMOLOGATED ROAD UNIT
5	1	520.717	UNDER-CAB FRONT COMPARTMENT
6	1	631.205	BLACK HEAD COVER Ø42 FOR TUBE Øi 36
7	8	620.367	NUT CL M5 DIN 980 KL 8.8 Zn
8	5	600.472	NUT CL M6 DIN 980 KL 8.8 Zn
9	9	600.076	NUT CL M8 DIN 980 KL 8.8 Zn
10	2	630.021	LOCKNUT M6 UNI 7473 8.8 Zn
11	2	631.135	WORK LAMP
12	1	520.716	CAB STAIRS
13	2	631.201	DIRECTIONAL LIGHT WITH 12V LAMP
14	3	631.129	STEEL CYLINDRICAL-HEAD HEXAGONAL-STEM M6 INSERT
15	1	520.719	BENT SHEET FOR STAIR ANCHORAGE TH.3mm
16	1	520.718	BENT SHEET FOR BACK CAB MUDGUARD TH.3mm
17	1	520.514	BENT SHEET FOR FRONT COMPARTMENT DOOR TH.2mm
18	1	631.215	FRONT HALF FENDER
19	1	631.185	FRONT FENDER
20	8	631.610	FLAT WASHER L Øi5,5 x Øe15 UNI 6593 8.8 Zn BLACK
21	16	631.604	FLAT WASHER L Øi6,6 x Øe18 UNI 6593 8.8 Zn BLACK
22	35	631.602	FLAT WASHER L Øi9 x Øe24 UNI 6593 8.8 Zn BLACK
23	4	600.115	FLAT WASHER Øi8,4 UNI 6592 8.8 Zn
24	2	631.186	ADJUSTABLE NYLON BRACKET FOR FENDER
25	2	520.513	RIGHT FRONT FENDER SUPPORT
26	1	520.401	TUBE Ø 42 X 3 FE37 L.840 FOR FENDER SUPPORT
27	7	600.223	SCREW TE M8 x 20 UNI 5739 8.8 Zn
28	2	631.210	MALE LOBE THREADED KNOB M6x20
29	8	631.609	SCREW TBCE M5 x 12 ISO 7380 8.8 Zn BLACK
30	9	631.605	SCREW TBCE M6 x 20 ISO 7380 8.8 Zn BLACK
31	8	631.612	SCREW TBCE M8 x 16 ISO 7380 8.8 Zn BLACK
32	11	631.600	SCREW TBCE M8 x 20 ISO 7380 8.8 Zn BLACK
33	4	631.611	SCREW TBCE M8 x 25 ISO 7380 8.8 Zn BLACK



**TABLE NO.
520.413/a****FENDER COVER AND SIDE SUPPORTS**

POS.	QTY	CODE	DESCRIPTION
1	1	520.403/a	RIGHT SIDE FAIRING
2	1	520.402/b	LEFT SIDE FAIRING
3	16	600.076	NUT CL M8 DIN 980 KL 8.8 Zn
4	1	520.370	FIXING SHEET FOR RIGHT BACK FENDER TH.4mm
5	1	520.371	FIXING SHEET FOR LEFT BACK FENDER TH.4mm
6	2	520.405	BENT SHEET FOR RIGHT FRONT FAIRING COUPLING TH.3mm
7	2	520.404	BENT SHEET FOR LEFT FRONT FAIRING COUPLING TH.3mm
8	1	520.408/a	BENT SHEET FOR RIGHT BACK WHEEL FENDER TH.3mm
9	1	520.409/a	BENT SHEET FOR LEFT BACK WHEEL FENDER TH.3mm
10	1	520.539	BENT SHEET FOR RIGHT SIDE FAIRING SUPPORT TH.8mm
11	1	520.538	BENT SHEET FOR LEFT SIDE FAIRING SUPPORT TH.8mm
12	2	631.184	BACK FENDER 1870x1080x550
13	4	620.250	FLAT WASHER L Øi11 x Øe30 UNI 6593 8.8 Zn
14	6	631.377	FLAT WASHER L Øi16 x Øe42 UNI 6593 8.8 Zn
15	30	630.159	FLAT WASHER L Øi9 x Øe24 UNI 6593 8.8 Zn
16	4	600.227	SCREW TE M10 x 20 UNI 5739 8.8 Zn
17	6	600.620	SCREW TE M14 x 30 UNI 5739 8.8 Zn
18	10	600.223	SCREW TE M8 x 20 UNI 5739 8.8 Zn
19	4	600.702	SCREW TE M8 x 25 UNI 5739 8.8 Zn
20	8	631.210	MALE LOBE THREADED KNOB M6x20
21	8	631.376	SCREW TSPEI M8 x20 UNI 5933 Aisi 304

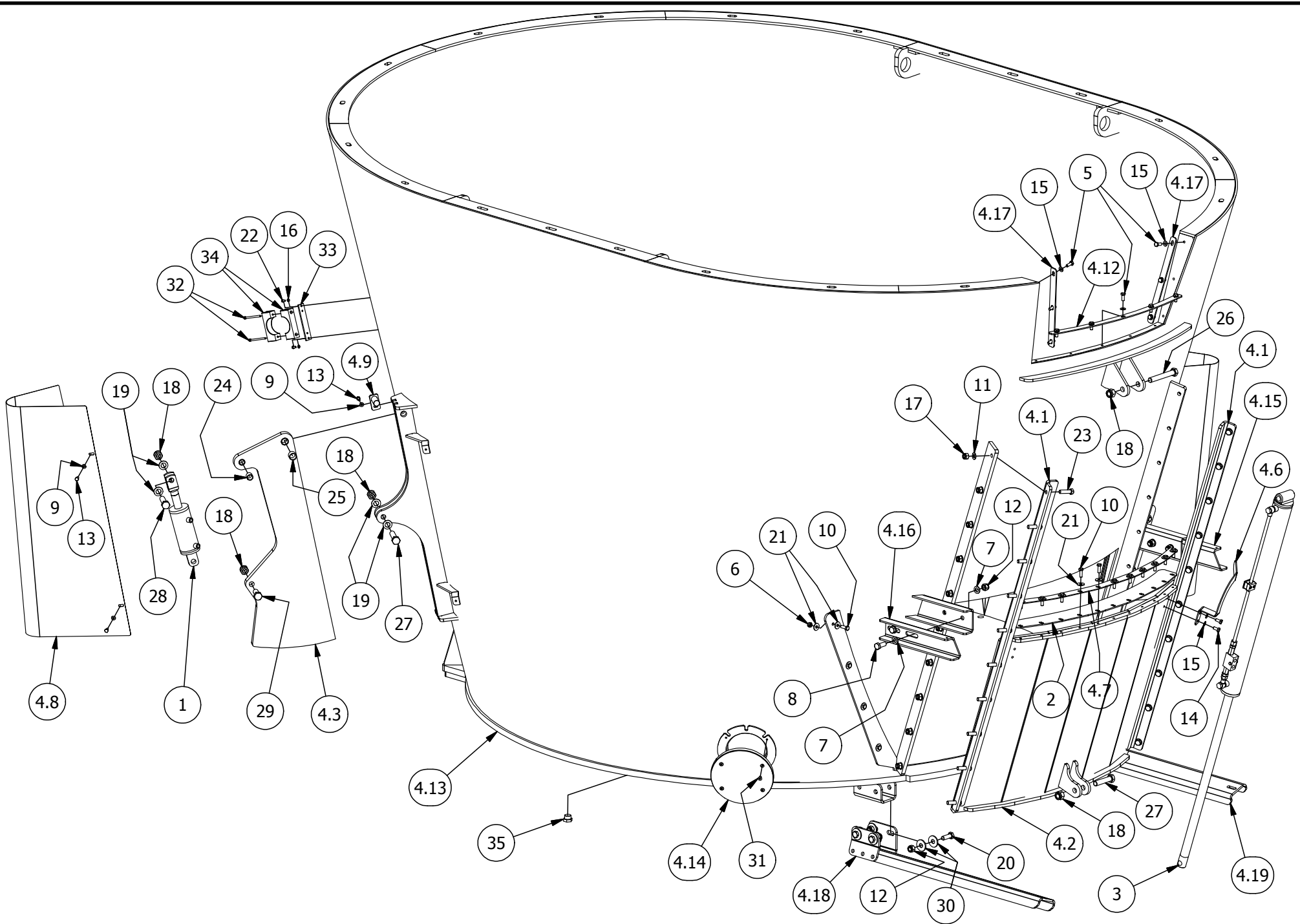


**TABLE NO.
520.235/a****INSPECTION PLATFORM KIT FOR PREMIER MIXING TANK**

POS.	QTY	CODE	DESCRIPTION
1	1	520.233/a	UPPER PLATFORM OF SELF-PROPELLED UNIT
2	2	631.078	HINGE 57X51 HOLES Ø5.2 CENTRE DISTANCE 34mm
3	1	631.207	SMALL ELECTRIC-FANNED CONDENSER
4	1	631.205	BLACK COVER Ø42 FOR TUBE Øi 36
5	5	600.029	NUT CL M10 DIN 980 KL 8.8 Zn
6	8	620.367	NUT CL M5 DIN 980 KL 8.8 Zn
7	14	600.076	NUT CL M8 DIN 980 KL 8.8 Zn
8	2	610.454	LOCKNUT M8 UNI 7473 8.8 Zn
9	1	631.208	HORIZONTAL HYDRATOR FILTER
10	4	631.129	STEEL CYLINDRICAL-HEAD HEXAGONAL-STEM M6 INSERT
11	1	525.347	DRILLED BENT SHEET TH. 1.5 HOLES Ø4 FOR A.C. RADIATOR PROTECTION
12	1	525.341	BENT SHEET FOR BACK HANDRAIL TH. 2mm
13	1	520.236/a	BENT SHEET FOR A.C. RADIATOR SUPPORT TH.3mm
14	1	520.563/a	BENT SHEET FOR BACK PLATFORM LOCK TH. 2mm
15	8	630.490	FLAT WASHER L Øi5,5 x Øe15 UNI 6593 8.8 Zn
16	20	630.159	FLAT WASHER L Øi9 x Øe24 UNI 6593 8.8 Zn
17	9	600.322	FLAT WASHER Øi10,5 UNI 6592 8.8 Zn
18	6	600.089	FLAT WASHER Øi13 UNI 6592 8.8 Zn
19	12	600.115	FLAT WASHER Øi8,4 UNI 6592 8.8 Zn
20	3	631.601	FLAT WASHER Øi8,4 UNI 6592 8.8 Zn BLACK
21	1	520.782	LADDER FOR SELF-PROPELLED UNIT 140
21	1	520.234/a	LADDER FOR SELF-PROPELLED UNIT 170-200
22	1	631.209	HYDRATOR FILTER BRACKET
23	1	520.419	TUBE FOR LADDER ANCHORAGE ON CUTTER COLUMN
24	2	600.006	SCREW TE M10 x 25 UNI 5739 8.8 Zn
25	2	630.112	SCREW TE M10 x 60 UNI 5739 8.8 Zn
26	6	610.962	SCREW TE M12 x 30 UNI 5739 8.8 Zn
27	8	600.223	SCREW TE M8 x 20 UNI 5739 8.8 Zn
28	4	600.702	SCREW TE M8 x 25 UNI 5739 8.8 Zn
29	2	600.757	SCREW TE M8 x 30 UNI 5739 8.8 Zn
30	2	630.008	SCREW TE M8 x 40 UNI 5739 8.8 Zn
31	4	631.210	MALE LOBE THREADED KNOB M6x20
32	1	620.471	MALE SIX-LOBE THREADED KNOB M8x20
33	4	631.609	SCREW TBCE M5 x 12 ISO 7380 8.8 Zn BLACK
34	4	631.608	SCREW TBCE M5 x 16 ISO 7380 8.8 Zn BLACK
35	3	631.613	SCREW TBCE M8 x 30 ISO 7380 8.8 Zn BLACK
36	3	631.336	SCREW TTQST M10 x 25 UNI 5732 e ISO 8677 8.8 Zn

**TABLE NO.
520.221**

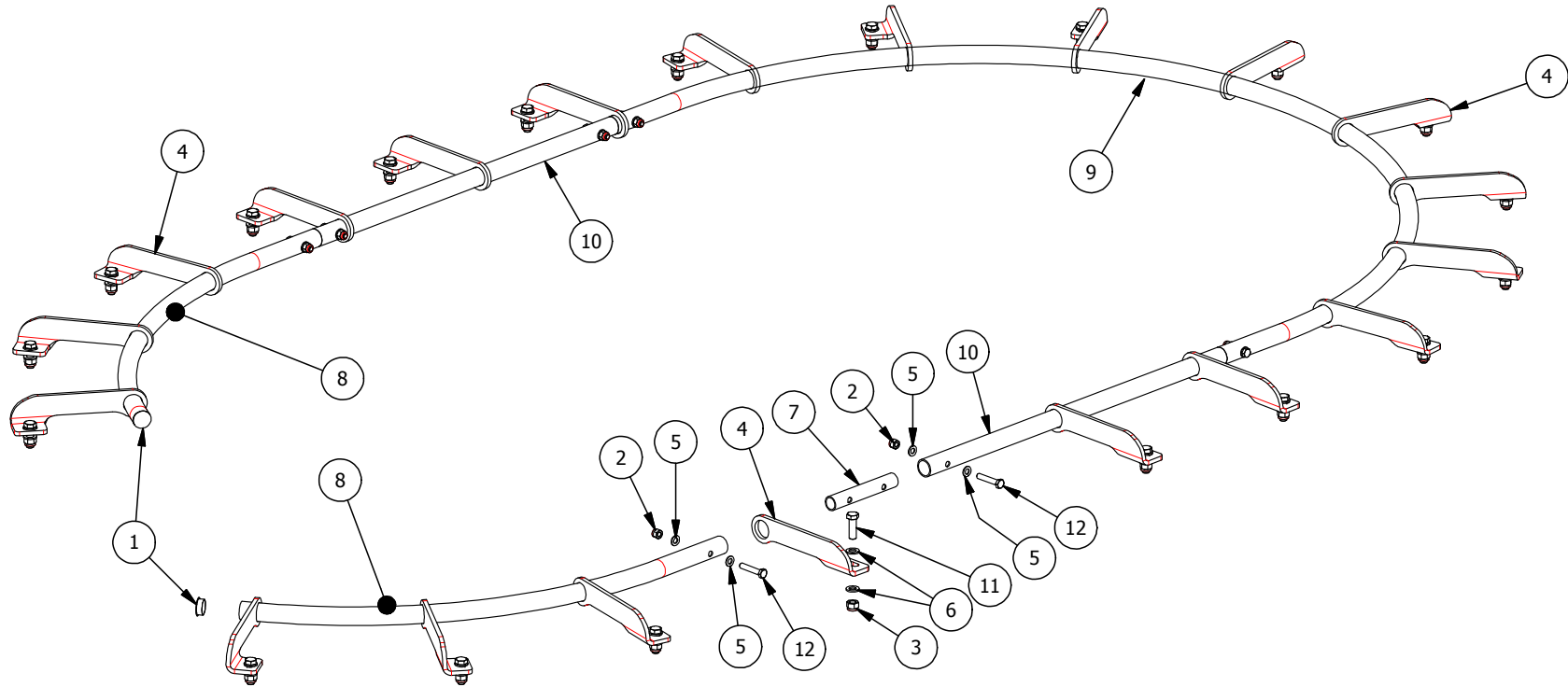
MIXING TANK KIT OF PREMIER UNIT

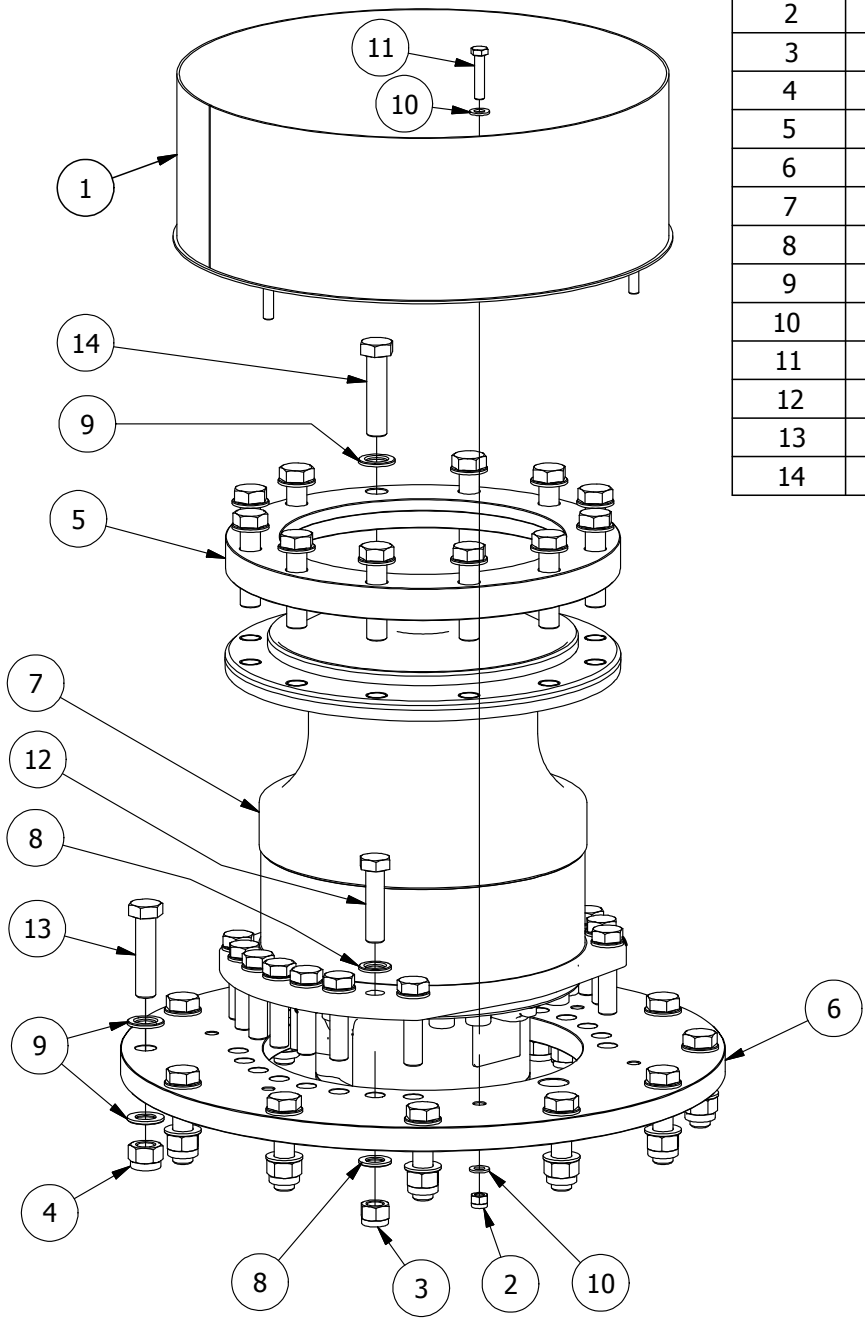


**TABLE NO.
520.221****MIXING TANK KIT OF PREMIER UNIT**

POS.	QTY	CODE	DESCRIPTION
1	2	520.049/a	DOUBLE-ACTING CYLINDER 70/30x60
2	1	520.082	BLACK RUBBER CANVAS TH. 4mm FOR MIXING TANK DOOR LOCK
3	1	520.186	CYLINDER 70/35x700 WITH FITTINGS & CONNECTIONS FOR 140
3	1	520.173	CYLINDER 70/35x800 WITH FITTINGS & CONNECTIONS FOR 170-200
4.1	2	520.041	BENT SHEET TH. 10mm FOR DOOR GUIDE
4.2	1	520.044/a	UNLOADING DOOR FOR MIXING TANK
4.3	2	520.078	COUNTER-KNIFE BLADE 900mm
4.6	1	520.218	BENT SHEET FOR LEFT DOOR INDICATOR TH. 4mm
4.7	1	520.081	SHEET TH. 3mm FOR DOOR RUBBER STOP
4.8	2	520.138	BENT SHEET FOR COUNTER-KNIFE PROTECTION L.900mm
4.9	2	520.139	COUNTER-KNIFE SUPPORT L.900mm
4.12	1	520.373	SHEET FOR RUBBER FIXING ON MIXING TANK TH. 4mm, HORIZONTAL
4.13	1	525.794	MIXING TANK 140 FOR SELF-PROPELLED SINGLE-SCREW STD UNIT
4.13	1	525.265/a	MIXING TANK 170 FOR SELF-PROPELLED SINGLE-SCREW STD UNIT
4.13	1	525.753	MIXING TANK 200 FOR SELF-PROPELLED SINGLE-SCREW STD UNIT
4.14	1	520.586	COVER FOR HOPPER HOLE
4.15	1	525.195	BENT SHEET FOR LEFT SLIDING BELT SUPPORT TH. 6mm
4.16	1	525.196	BENT SHEET FOR LEFT SLIDING BELT SUPPORT TH. 6mm
4.17	2	520.784	SHEET FOR CANVAS FIXING ON MIXING TANK 140 TH. 4mm, SIDE
4.17	2	520.374	SHEET FOR CANVAS FIXING ON MIXING TANK 170 TH. 4mm, SIDE
4.17	2	520.567	SHEET FOR CANVAS FIXING ON MIXING TANK 200 TH. 4mm, SIDE
4.18	1	520.724	RIGHT SUPPORT OF UNLOADING BELT
4.19	1	520.723	LEFT SUPPORT OF UNLOADING BELT
5	11	600.006	SCREW TE M10 x 25 UNI 5739 8.8 Zn
6	8	600.029	NUT CL M10 DIN 980 KL 8.8 Zn
7	8	600.031	FLAT WASHER Øi17 UNI 6592 8.8 Zn
8	4	600.035	SCREW TE M16 x 40 UNI 5739 8.8 Zn
9	10	600.115	FLAT WASHER Øi8,4 UNI 6592 8.8 Zn
10	19	600.148	SCREW TE M10 x 30 UNI 5739 8.8 Zn
11	40	600.188	FLAT WASHER Di15 UNI 6592 8.8 Zn
12	12	600.197	LOCKNUT M16 UNI 7473 8.8 Zn
13	10	600.223	SCREW TE M8 x 20 UNI 5739 8.8 Zn
14	2	600.227	SCREW TE M10 x 20 UNI 5739 8.8 Zn
15	13	600.322	FLAT WASHER Øi10,5 UNI 6592 8.8 Zn
16	2	600.514	FLAT WASHER Øi6,4 UNI 6592 8.8 Zn
17	20	600.626	LOCKNUT M14 UNI 7473 8.8 Zn
18	8	600.630	LOCKNUT M20 UNI 7473 8.8 Zn
19	8	600.632	FLAT WASHER Øi21 UNI 6592 8.8 Zn
20	8	610.167	SCREW TE M16 x 45 UNI 5739 8.8 Zn
21	27	620.250	FLAT WASHER L Øi11 x De30 UNI 6593 8.8 Zn
22	2	630.001	SCREW TE M6 x 12 UNI 5739 8.8 Zn
23	20	630.119	SCREW TE M14 x 50 UNI 5739 8.8 Zn
24	2	631.015	BUSH 20X25 L=25mm
25	2	631.026	BUSH 25X30 L=25mm
26	1	631.309	SCREW TE M20 x 140 UNI 5737 8.8 Zn
27	3	631.310	SCREW TE M20 x 90 UNI 5737 8.8 Zn
28	2	631.313	SCREW TE M20 x 80 UNI 5737 8.8 Zn
29	2	631.343	SCREW TE M20 x 55 UNI 5739 8.8 Zn
30	16	631.358	FLAT WASHER L Øi18 x Øe48 UNI 6593 8.8 Zn
31	4	631.384	SCREW TSPEI M8 x16 UNI 5933 8.8 Zn
32	2	631.395	SCREW TCEI M6x85 UNI 5931 8.8 Zn
33	1	631.586	EXTENDED LOWER PLATE PL8
34	2	631.587	SEMICOLLAR C8 70 BLACK (SINGLE TUBE D70)
35	1	632.051	PLUG 3/4"

POS.	QTY	CODE	DESCRIPTION
1	2	631.205	BLACK COVER Ø42 FOR TUBE Øi 36
2	8	600.366	LOCKNUT M12 UNI 7473 8.8 Zn
3	20	600.197	LOCKNUT M16 UNI 7473 8.8 Zn
4	20	520.083/a	BENT SHEET TH. 10mm PER OVERFLOW RING
5	16	600.089	FLAT WASHER Øi13 UNI 6592 8.8 Zn
6	40	600.031	FLAT WASHER Øi17 UNI 6592 8.8 Zn
7	4	520.087	TUBE Ø33.7 TH. 3mm FOR OVERFLOW RING CONNECTION
8	2	520.902	TUBE Ø42 TH. 3mm FOR OVERFLOW RING OF MIXING TANK Ø2550 PREMIER UNIT 140
8	2	520.450	TUBE Ø42 SP3mm FOR OVERFLOW RING OF MIXING TANK Ø2550 PREMIER UNIT 170-200
9	1	520.084	TUBE Ø42 TH. 3mm FOR OVERFLOW RING OF MIXING TANK Ø2550 PREMIER UNIT 140
9	1	520.446	TUBE Ø42 TH. 3mm FOR OVERFLOW RING OF MIXING TANK Ø2900 PREMIER UNIT 170-200
10	2	520.086	TUBE Ø42 TH. 3mm FOR OVERFLOW RING OF PREMIER UNIT 140
10	2	520.447	TUBE Ø42 TH. 3mm FOR OVERFLOW RING OF PREMIER UNIT 170
10	2	520.178	TUBE Ø42 TH. 3mm FOR OVERFLOW RING OF PREMIER UNIT 200
11	20	600.384	SCREW TE M16 x 50 UNI 5739 8.8 Zn
12	8	600.530	SCREW TE M12 x 65 UNI 5737 8.8 Zn





POS.	QTY	CODE	DESCRIPTION
1	1	520.055	REDUCER BELL
2	6	600.366	LOCKNUT M12 UNI 7473 8.8 Zn
3	16	631.322	LOCKNUT M22 2,5 UNI 7473 Cl.10
4	12	631.330	LOCKNUT M24 3 UNI 7473 Cl.10
5	1	520.020	MACHINED FLANGE FOR REDUCER SPACING
6	1	520.021	MACHINED FLANGE FOR REDUCER FIXING
7	1	631.040	HYDRAULIC GEAR MOTOR
8	32	631.318	WASHER C50 Di23 DIN 6916
9	36	631.331	WASHER C50 Di25 DIN 6916
10	12	600.089	FLAT WASHER Øi13 UNI 6592 8.8 Zn
11	6	631.335	SCREW TE M12 x 55 UNI 5739 8.8 Zn
12	16	631.334	SCREW TE M22 x 90 UNI 5739 10.9 Zn
13	12	631.311	SCREW TE M24 x 100 UNI 5739 10.9 Zn
14	12	631.354	SCREW TE M24 x 100 fine thread UNI 5740 10.9 Zn

TABLE NO.
520.092

SCREW REDUCER KIT FOR PREMIER SELF-PROPELLED UNIT

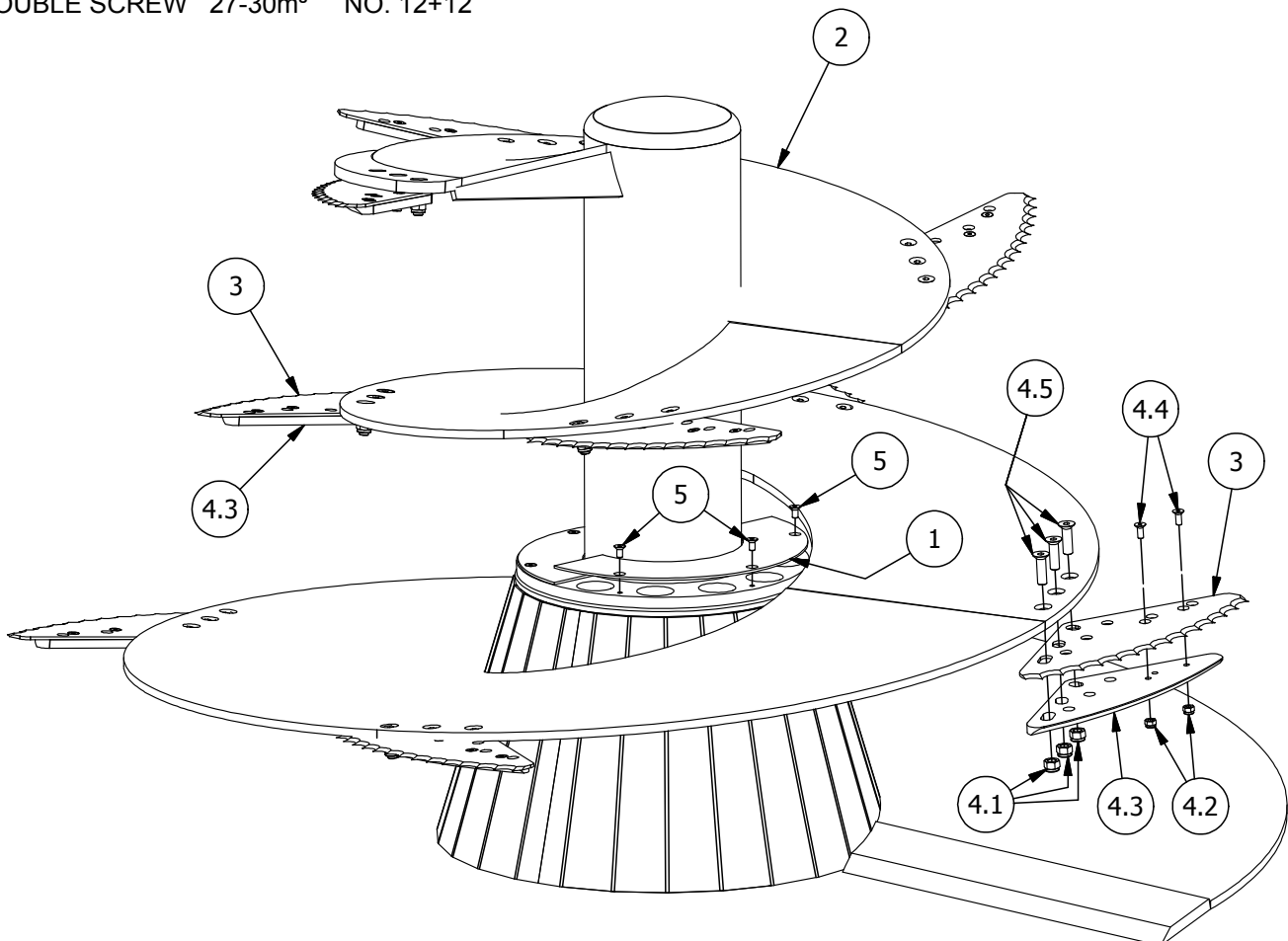
**TABLE NO.
520.063**

SCREW KIT FOR TRAILED AND SELF-PROPELLED UNIT

POS.	QTY	CODE	DESCRIPTION
1	2	520.022	STAINLESS SHEET TH. 4mm FOR SCREW PROTECTION
2	1	520.019	TH.15mm MF 140-150 (SCREW KIT CODE 520.438)
2	1	520.241	TH.15mm MF 170-200 (SCREW KIT CODE 520.240)
2	1	520.182	TH.15mm 2MF-2BM 170-200 (SCREW KIT CODE 520.181)
2	1	520.064	TH.15mm 2MF-2BM 220-240 (SCREW KIT CODE 520.063)
2	1	520.067	TH. 15mm 2BM 270-300 (SCREW KIT CODE 520.066)
2	1	520.095	TH. 20mm MF 140-150 AND 140 PREMIER (SCREW KIT CODE 520.094)
2	1	520.302	TH. 20mm MF 170-200 AND 170-200 PREMIER (SCREW KIT CODE 520.301)
2	1	520.355	TH. 20mm 2MF-2BM 170-200 (SCREW KIT CODE 520.354)
2	1	520.097	TH. 20mm 2MF-2BM 220-240 (SCREW KIT CODE 520.096)
2	1	520.486	TH. 20mm 2BM 270-300 (SCREW KIT CODE 520.485)
3	See table	520.140	TEMPERED STEEL SABER KNIFE
3	See table	520.102	STAINLESS STEEL SABER KNIFE
4.1	30	600.197	LOCKNUT M16 UNI 7473 8.8 Zn
4.2	20	631.306	LOCKNUT M10 UNI 7473 8.8 Zn
4.3	10	520.103/a	SABER UNDERKNIFE FOR SCREW
4.4	20	631.353	SCREW TSPEI M10 x25 UNI 5933 Aisi 304
4.5	30	631.315	SCREW TSPEI M16 x55 UNI 5933 10.9 Zn
5	6	631.314	SCREW TSPEI M10 x20 UNI 5933 8.8 Zn

TABLE OF SCREW KNIFE QUANTITY

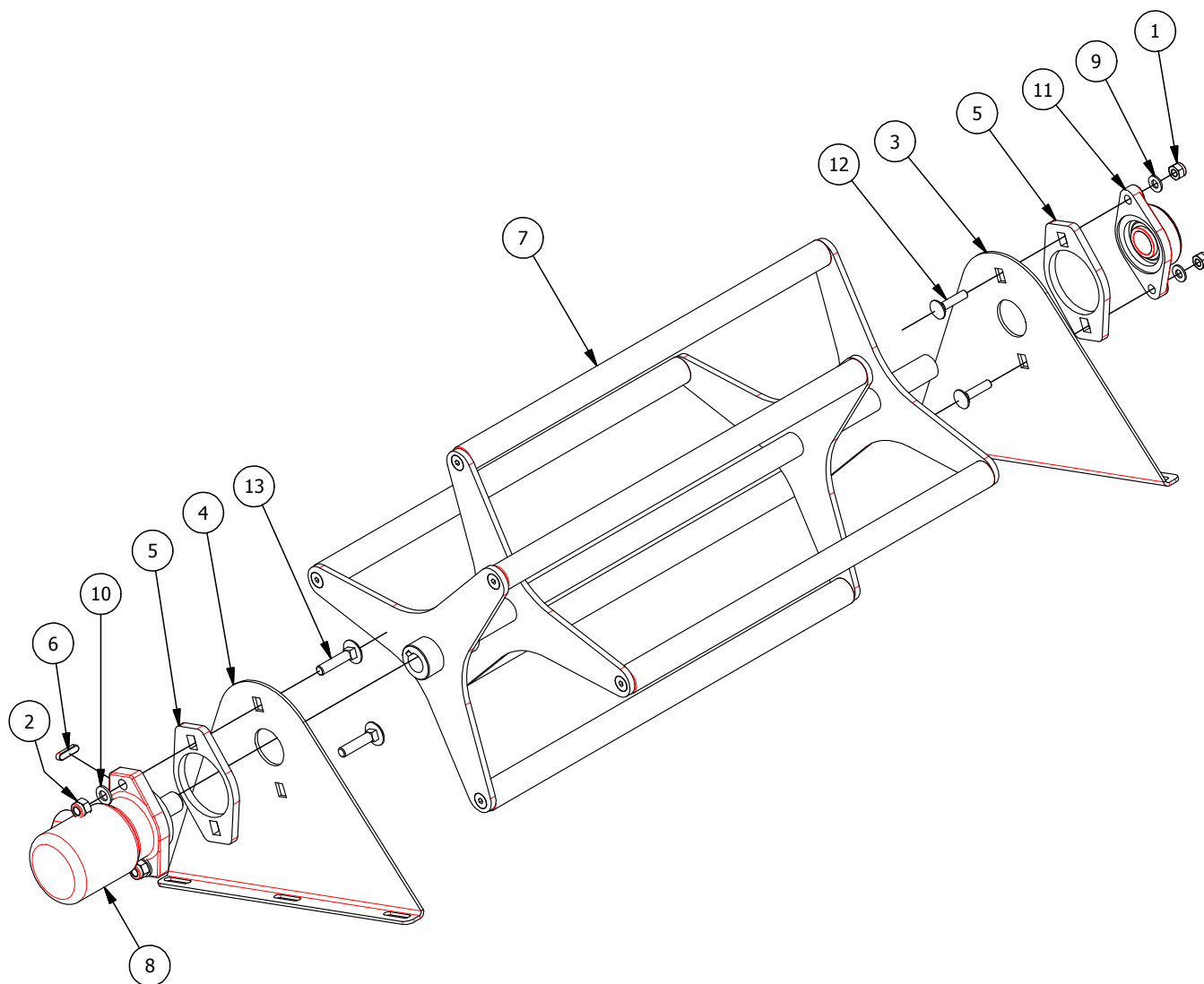
MODEL	QUANTITY
SINGLE-SCREW 14-15m ³	NO. 10
SINGLE-SCREW 17-20m ³	NO. 12
DOUBLE SCREW 17-20m ³	NO. 8+8
DOUBLE SCREW 22-24m ³	NO. 10+10
DOUBLE SCREW 27-30m ³	NO. 12+12



**TABLE NO.
520.564**

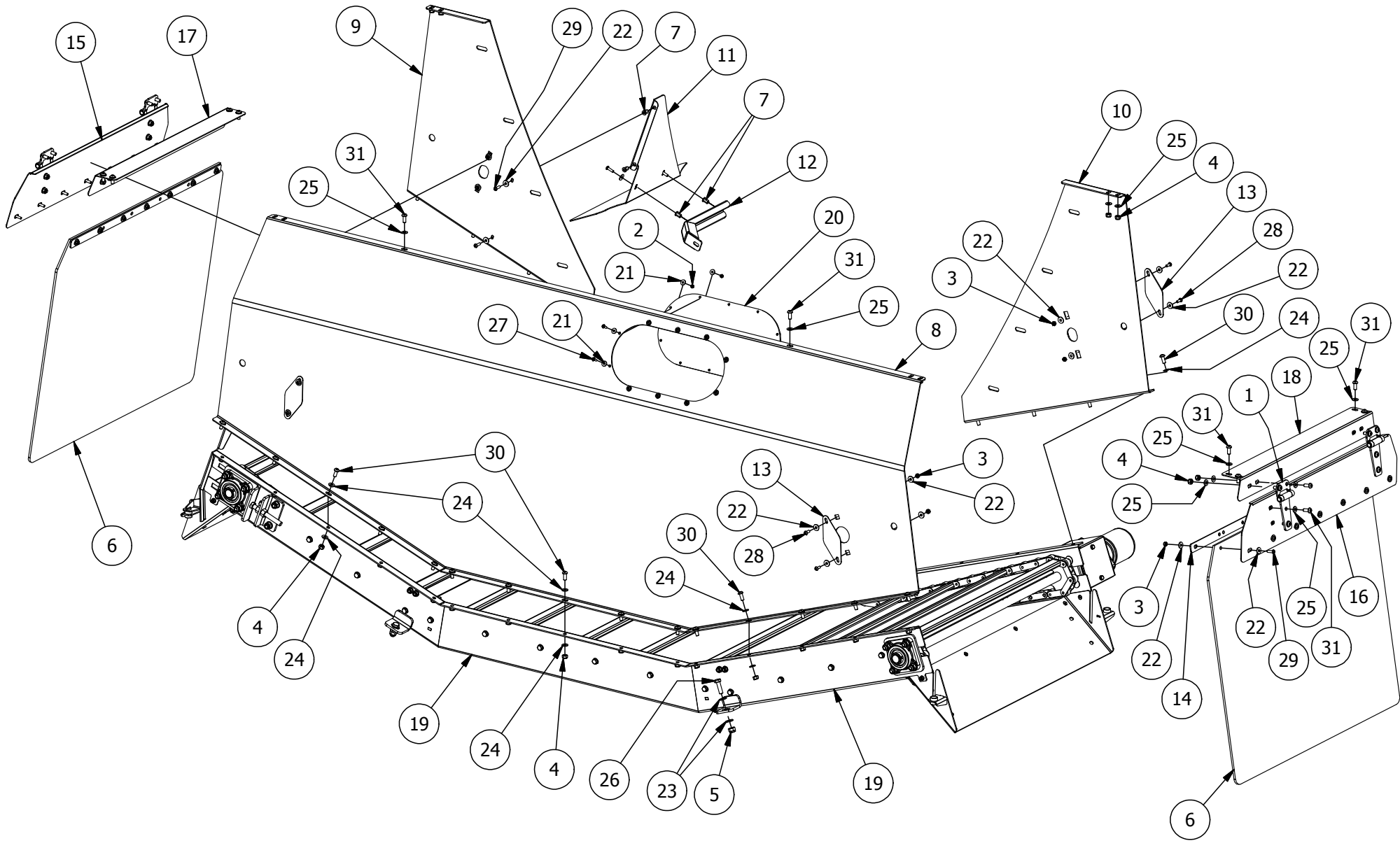
REFORVILNG MAGNET KIT FOR SELF-PROPELLED UNIT

POS.	QTY	CODE	DESCRIPTION
1	2	631.306	LOCKNUT M10 UNI 7473 8.8 Zn
2	2	600.366	LOCKNUT M12 UNI 7473 8.8 Zn
3	1	520.566	RIGHT BENT SHEET FOR REVOLVING MAGNET SUPPORT TH.4mm
4	1	520.565	LEFT BENT SHEET FOR REVOLVING MAGNET SUPPORT TH.4mm
5	2	520.546/a	SPACER SHEET TH.10mm FOR HYDRAULIC MOTOR
6	1	630.183	TAB 8 x 7 x 32 UNI 6604/A
7	1	520.542	SIX-BAR REVOLVING MAGNET
8	1	631.271	ORBITAL MOTOR MP200
9	2	600.322	FLAT WASHER Øi10,5 UNI 6592 8.8 Zn
10	2	600.089	FLAT WASHER Øi13 UNI 6592 8.8 Zn
11	1	631.254	SUPPORT FYTB Ø 30 WITH GRAINS AND FIXING
12	2	631.394	SCREW TTQST M10 x 45 UNI 5732 and ISO 8677 8.8 Zn
13	2	631.388	SCREW TTQST M12 x 55 UNI 5732 and ISO 8677 8.8 Zn



**TABLE NO.
520.112**

DOUBLE UNLOADING BELT KIT FOR SELF-PROPELLED UNIT

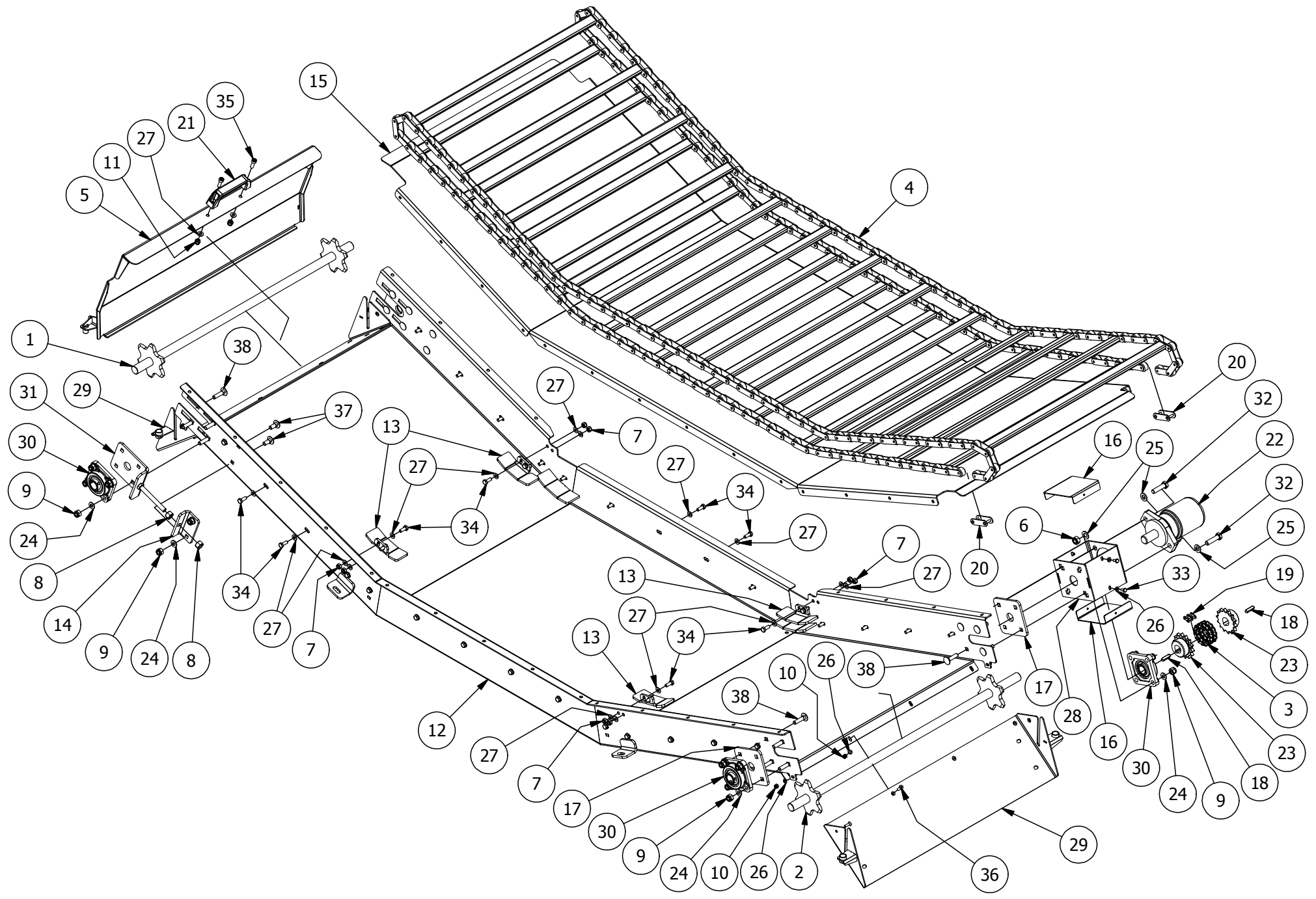


**TABLE NO.
520.112****DOUBLE UNLOADING BELT KIT FOR SELF-PROPELLED UNIT**

POS.	QTY	CODE	DESCRIPTION
1	4	631.089	ZINC-COATED HINGE 142X64
2	10	620.367	NUT CL M5 DIN 980 KL 8.8 Zn
3	22	600.472	NUT CL M6 DIN 980 KL 8.8 Zn
4	47	600.076	NUT CL M8 DIN 980 KL 8.8 Zn
5	2	631.306	LOCKNUT M10 UNI 7473 8.8 Zn
6	2	520.217/a	RUBBER PROTECTION OF UNLOADING BELT
7	4	631.129	CYLINDRICAL-HEAD HEXAGONAL STEM STEEL INSERT M6
8	1	520.114/b	SHEET FOR FRONT CONTAINMENT OF UNLOADING BELT
9	1	520.116/a	SHEET FOR BACK RIGHT CONTAINMENT OF UNLOADING BELT
10	1	520.115/b	SHEET FOR BACK LEFT CONTAINMENT OF UNLOADING BELT
11	1	520.442/a	BENT SHEET FOR TRIANGLE BELT LOCK TH. 2mm
12	1	520.441	BENT SHEET FOR TRIANGLE BELT SUPPORT TH. 3mm
13	4	520.766	SHEET TH. 2mm FOR MAGNET HOLE CLOSURE
14	2	520.579	SHEET TH. 3mm FOR RUBBER ANCHOR OF UNLOADING BELT
15	1	520.127	SHEET FOR RIGHT RUBBER SUPPORT OF UNLOADING BELT
16	1	520.126	SHEET FOR LEFT RUBBER SUPPORT OF UNLOADING BELT
17	1	520.118/a	SHEET FOR UPPER RIGHT CONNECTION OF UNLOADING BELT
18	1	520.117/a	SHEET FOR UPPER LEFT CONNECTION OF UNLOADING BELT
19	1	520.111	UNLOADING BELT 2500x780
20	1	520.725	PLEXIGLASS WINDOW OF UNLOADING PLATFORM TH.4mm
21	20	631.610	FLAT WASHER L Øi5,5 x Øe15 UNI 6593 8.8 Zn BLACK
22	48	631.604	FLAT WASHER L Øi6,6 x Øe18 UNI 6593 8.8 Zn BLACK
23	4	600.322	FLAT WASHER Øi10,5 UNI 6592 8.8 Zn
24	46	600.115	FLAT WASHER Øi8,4 UNI 6592 8.8 Zn
25	50	631.601	FLAT WASHER Øi8,4 UNI 6592 8.8 Zn BLACK
26	2	600.641	SCREW TE M10 x 35 UNI 5739 8.8 Zn
27	10	631.608	SCREW TBCE M5 x 16 ISO 7380 8.8 Zn BLACK
28	8	631.607	SCREW TBCE M6 x 16 ISO 7380 8.8 Zn BLACK
29	18	631.605	SCREW TBCE M6 x 20 ISO 7380 8.8 Zn BLACK
30	23	631.346	SCREW TBCE M8 x 20 ISO 7380 8.8 Zn
31	26	631.600	SCREW TBCE M8 x 20 ISO 7380 8.8 Zn BLACK

**TABLE NO.
520.111**

DOUBLE UNLOADING BELT KIT FOR SELF-PROPELLED UNIT

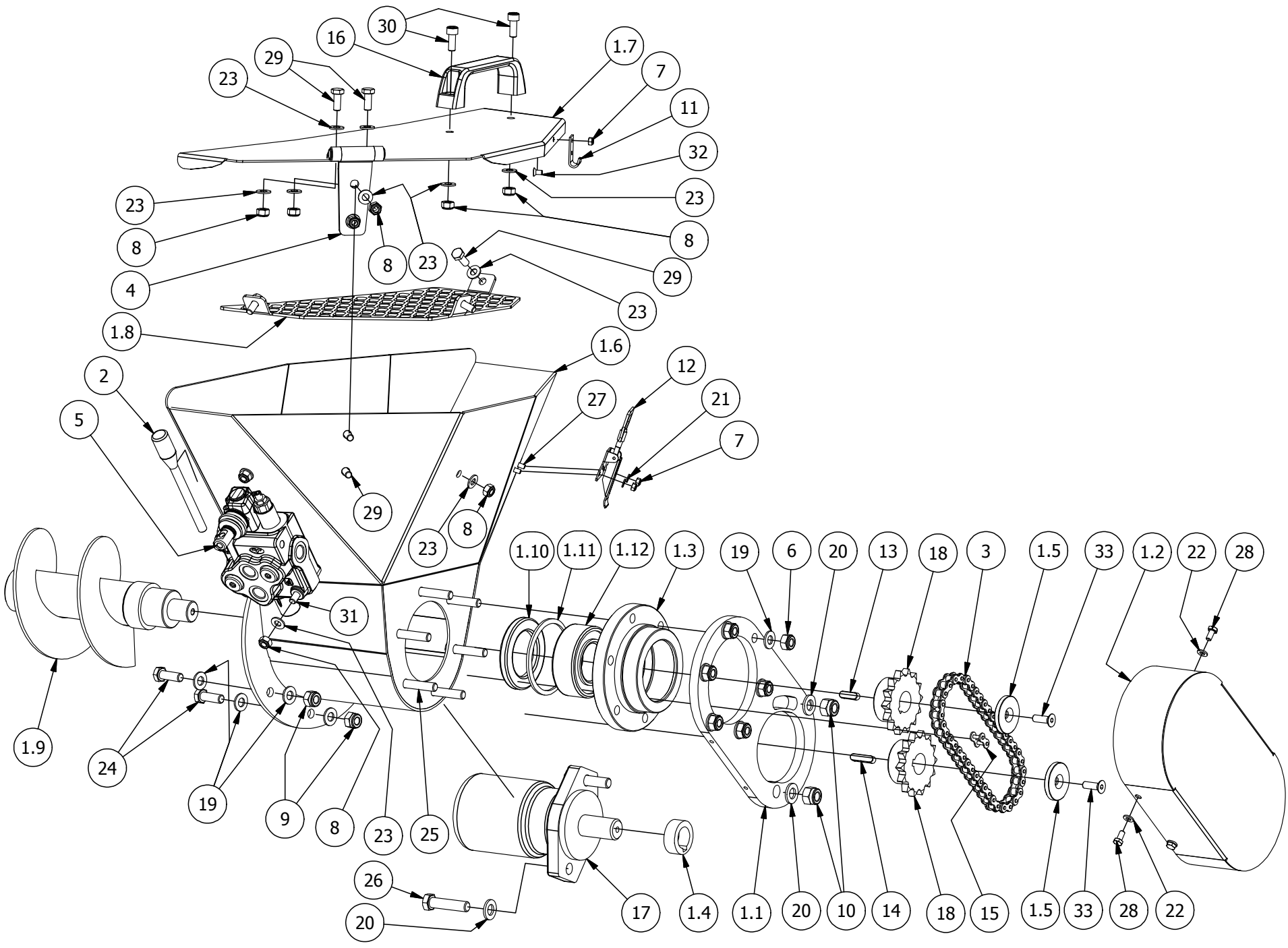


**TABLE NO.
520.111****DOUBLE UNLOADING BELT KIT FOR SELF-PROPELLED UNIT**

POS.	QTY	CODE	DESCRIPTION
1	1	520.098	DRIVEN SHAFT FOR UNLOADING CHAIN BELT
2	1	520.093	DRIVE SHAFT FOR UNLOADING CHAIN BELT
3	1	520.141	DOUBLE CHAIN 5/8 FOR PINION GEAR 5/8 Z14 L=220mm
4	1	520.119	STAINLESS STEEL CHAIN FOR UNLOADING BELT 2500x735 L.5050mm
5	1	520.226/b	UNLOADING BELT LOCK – RIGHT-LEFT
6	2	600.077	NUT CL M12 DIN 980 KL 8.8 Zn
7	8	600.076	NUT CL M8 DIN 980 KL 8.8 Zn
8	4	600.624	NUT M12 UNI 5587 8.8 Zn
9	20	631.306	LOCKNUT M10 UNI 7473 8.8 Zn
10	12	630.021	LOCKNUT M6 UNI 7473 8.8 Zn
11	2	610.454	LOCKNUT M8 UNI 7473 8.8 Zn
12	1	520.110/a	UNLOADING BELT BOTTOM
13	4	520.534	REMOVABLE BENT SHEET FOR UNLOADING CHAIN TH.6mm
14	2	520.101	CHAIN TIGHTENER BENT SHEET TH.6mm
15	1	520.113	INTERMEDIATE SHEET FOR UNLOADING PLATFORM
16	2	520.109	BENT SHEET TH. 2mm FOR BELT MOTOR CASE COVER
17	2	520.099	SPACER SHEET TH. 6mm FOR UCF 206 SUPPORT
18	2	630.183	TAB 8 x 7 x 32 UNI 6604/A
19	1	631.092	CONNECTING MESH OF DOUBLE CHAIN 5/8
20	2	631.077	CONNECTING MESH OF STAINLESS STEEL CHAIN PITCH 50mm ROLL Ø25
21	1	631.100	"U" HANDLE, CENTRE DISTANCE 132
22	1	631.055	ORBITAL MOTOR MP160
23	2	631.036	PINION GEAR 5/8 Z=14 D=25 CH8
24	20	600.322	FLAT WASHER Øi10,5 UNI 6592 8.8 Zn
25	4	600.089	FLAT WASHER Øi13 UNI 6592 8.8 Zn
26	16	600.514	FLAT WASHER Øi6,4 UNI 6592 8.8 Zn
27	46	600.115	FLAT WASHER Øi8,4 UNI 6592 8.8 Zn
28	1	520.105	HYDRAULIC MOTOR SUPPORT ON BELT
29	2	520.227/b	UNLOADING BELT SIDE SLIDE
30	4	631.061	SUPPORT UCF205
31	2	520.556	UNLOADING BELT CHAIN TIGHTENER
32	2	600.154	SCREW TE M12 x 45 UNI 5739 8.8 Zn
33	4	630.001	SCREW TE M6 x 12 UNI 5739 8.8 Zn
34	36	600.223	SCREW TE M8 x 20 UNI 5739 8.8 Zn
35	2	600.406	SCREW TCEI M8x25 UNI 5931 8.8 Zn
36	12	631.344	SCREW TSPEI M6 x20 UNI 5933 Aisi 304
37	4	631.336	SCREW TTQST M10 x 25 UNI 5732 & ISO 8677 8.8 Zn
38	16	631.337	SCREW TTQST M10 x 40 UNI 5732 & ISO 8677 8.8 Zn

TABLE NO.
520.926

HYDRAYLIC HOPPER KIT FOR SELF-PROPELLED UNIT



**TABLE NO.
520.926**

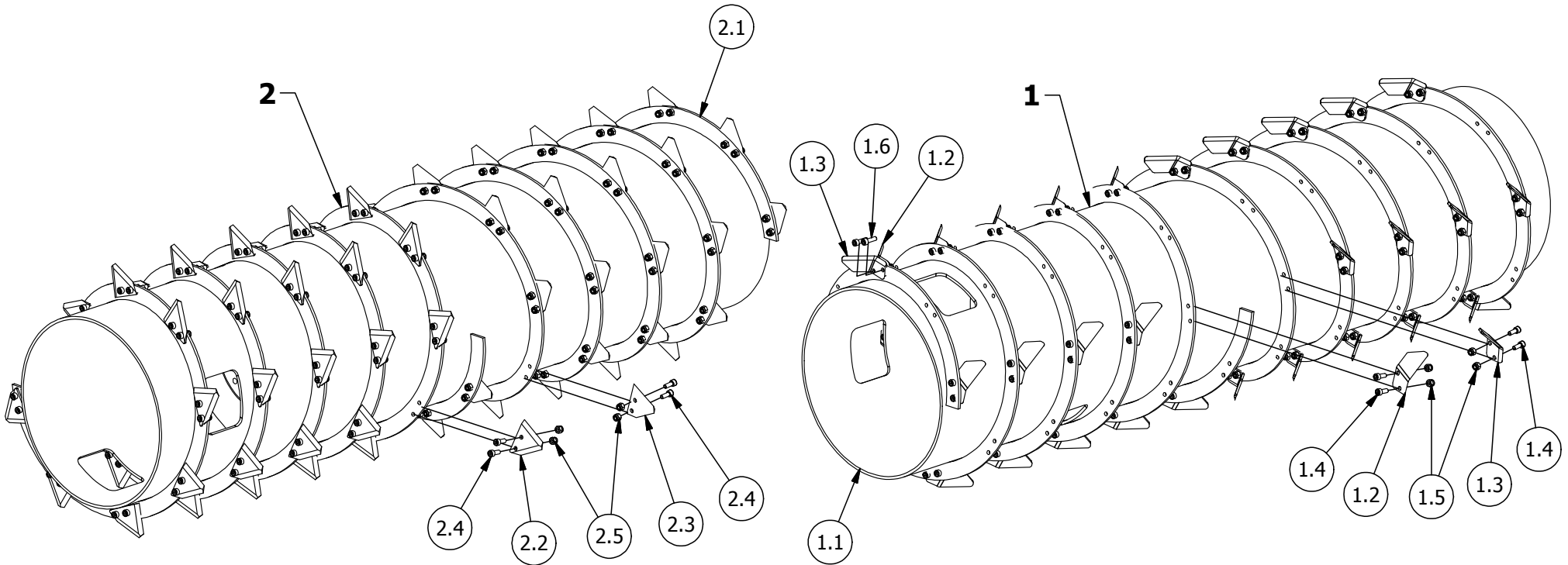
HYDRAYLIC HOPPER KIT FOR SELF-PROPELLED UNIT

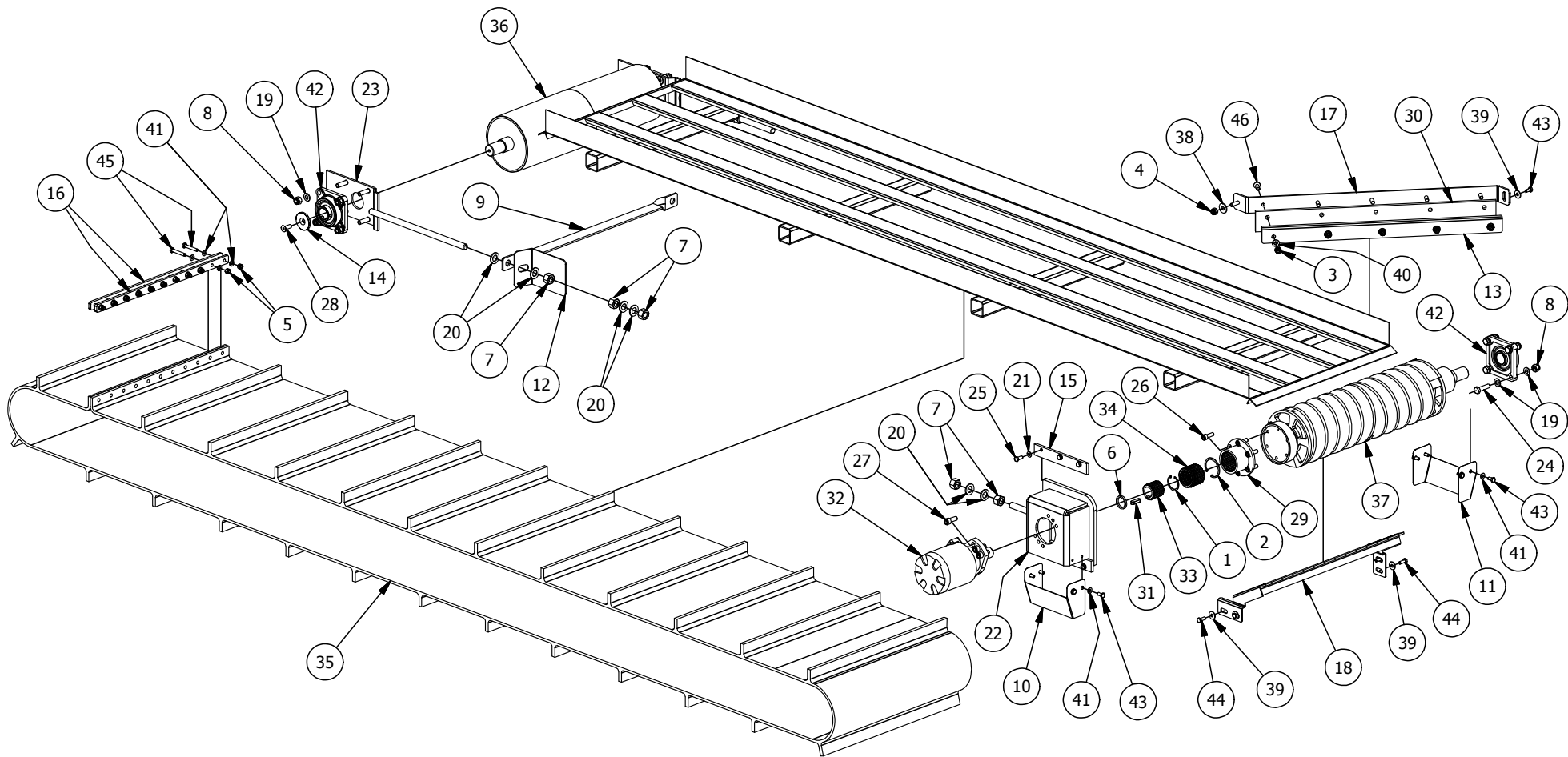
POS.	QTY	CODE	DESCRIPTION
1.1	1	520.569	FLANGED SHEET TH. 12mm FOR HOPPER MOTOR SUPPORT
1.2	1	520.570	HOPPER CHAIN PROTECTION COVER
1.3	1	520.571	HOPPER SCREW SUPPORT FLANGE
1.4	1	520.573	SPACER FOR PINION GEAR OF HOPPER MOTOR
1.5	2	520.576	FLANGED SHEET TH. 6mm FOR HOPPER PINION GEAR FIXING
1.6	1	520.684	HYDRAULIC HOPPER FOR SELF-PROPELLED UNIT
1.7	1	520.922	BENT SHEET TH. 2mm FOR HOPPER COVER
1.8	1	520.923	BENT SHEET TH. 3mm FOR HOPPER GRID
1.9	1	520.924	SELF-PROPELLED HOPPER SCREW
1.10	1	620.951	OIL SEALING RING BA 55/ 85x10
1.11	1	630.187	SEEGER STOP RING I 85 UNI 7437
1.12	1	631.571	BEARING 3209 2RS OBLIQUE 85-45-30.2
2	1	631.249	LEVER ROD M10X150 WITH BLACK HANDLE
3	1	520.575	GEARING CHAIN 5/8 SINGLE L=570mm
4	1	631.089	ZINC-COATED HINGE 142X64
5	1	631.270	HYDRAULIC DISTRIBUTOR SD5/1
6	6	600.029	NUT CL M10 DIN 980 KL 8.8 Zn
7	3	620.367	NUT CL M5 DIN 980 KL 8.8 Zn
8	11	600.076	NUT CL M8 DIN 980 KL 8.8 Zn
9	6	631.306	LOCKNUT M10 UNI 7473 8.8 Zn
10	2	600.366	LOCKNUT M12 UNI 7473 8.8 Zn
11	1	631.182	STAINLESS STEEL HOOK FOR LEVER LOCK
12	1	631.181	STAINLESS STEEL HOOK FOR ADJUSTABLE LEVER LOCK
13	1	620.672	TAB 8 x 7 x 25 UNI 6604/A
14	1	630.183	TAB 8 x 7 x 32 UNI 6604/A
15	1	631.573	CHAIN MESH 5/8 SINGLE
16	1	631.100	"U" HANDLE, CENTRE DISTANCE 132
17	1	631.271	ORBINAL MOTOR MP200
18	2	631.036	PINION GEAR 5/8 Z=14 D=25 CH8
19	18	600.322	FLAT WASHER Øi10,5 UNI 6592 8.8 Zn
20	4	600.089	FLAT WASHER Øi13 UNI 6592 8.8 Zn
21	4	600.672	FLAT WASHER Øi5,3 UNI 6592 8.8 Zn
22	4	600.514	FLAT WASHER Øi6,4 UNI 6592 8.8 Zn
23	20	600.115	FLAT WASHER Øi8,4 UNI 6592 8.8 Zn
24	6	600.148	SCREW TE M10 x 30 UNI 5739 8.8 Zn
25	6	600.063	SCREW TE M10 x 45 UNI 5739 8.8 Zn
26	2	600.750	SCREW TE M12 x 50 UNI 5739 8.8 Zn
27	2	600.670	SCREW TE M5 x 12 UNI 5739 8.8 Zn
28	4	630.001	SCREW TE M6 x 12 UNI 5739 8.8 Zn
29	7	600.223	SCREW TE M8 x 20 UNI 5739 8.8 Zn
30	2	630.259	SCREW TCEI M8x20 UNI 5931 8.8 Zn
31	2	600.735	SCREW TE M8 x 65 UNI 5737 8.8 Zn
32	1	631.625	SCREW TSPEI M5 x10 UNI 5933 8.8 Zn
33	2	631.380	SCREW TSPEI M8 x25 UNI 5933 8.8 Zn

**TABLE NO.
520.761****CUTTER ARM ASSEMBLY (ROTOR AND SHAKER)**

POS.	QTY	CODE	DESCRIPTION
1	2	631.176	SEEGER STOP RING I 43 UNI 7437
2	2	631.177	SEEGER STOP RING I 57 UNI 7437
3	1	520.605	MOTOR SUPPORT BELL FOR CUTTER ROTOR
4	1	520.611	MOTOR SUPPORT BELL FOR CONVEYOR ROLL
5	1	520.612	SPLINED FLANGE FOR CUTTER REDUCER CONNECTION
6	1	520.609	REDUCING FLANGE FOR CUTTER REDUCER CONNECTION
6	1	520.360	SELF-PROPELLED CUTTER WITH FRONT UNLOADING 170
6	2	520.626	HYDRAULIC MOTOR SPACER
9	15	620.367	NUT CL M5 DIN 980 KL 8.8 Zn
10	4	600.626	LOCKNUT M14 UNI 7473 8.8 Zn
11	1	520.608	STAINLESS STEEL SHEET TH. 3mm FOR BEARING COVER
12	1	520.602	SHEET TH. 8mm FOR RIGHT LOWER SIDE OF CUTTER BUCKET
13	1	520.601	SHEET TH. 8mm FOR LEFT LOWER SIDE OF CUTTER BUCKET
14	1	520.606	SHEET TH. 8mm FOR RIGHT UPPER SIDE OF CUTTER BUCKET
15	1	520.607	SHEET TH. 8mm FOR LEFT UPPER SIDE OF CUTTER BUCKET
16	1	520.650	PLEXIGLASS TH. 4mm FOR CUTTER SIDE
17	15	630.490	FLAT WASHER L Øi5,5 x De15 UNI 6593 8.8 Zn
19	22	600.089	FLAT WASHER Øi13 UNI 6592 8.8 Zn
19	20	600.188	FLAT WASHER Øi15 UNI 6592 8.8 Zn
20	10	600.148	SCREW TE M10 x 30 UNI 5739 8.8 Zn
21	2	610.962	SCREW TE M12 x 30 UNI 5739 8.8 Zn
22	4	600.443	SCREW TE M12 x 40 UNI 5739 8.8 Zn
23	16	600.065	SCREW TE M14 x 35 UNI 5739 8.8 Zn
26	12	620.868	SCREW TCEI M10x30 UNI 5931 8.8 Zn
27	12	631.362	SCREW TCEI M12x30 UNI 5931 8.8 Zn
26	56	631.356	SCREW TSPEI M10 x20 UNI 5933 Aisi 304
27	15	631.355	SCREW TSPEI M5 x16 UNI 5933 Aisi 304
28	9	631.357	SCREW TSPEI M8 x16 UNI 5933 Aisi 304
29	2	631.172	FLANGED JOINT D.114 Z29 62x57 H.55.5
30	1	520.646	CUTTER ROTOR KIT 1800 WITH SILAGE KNIVES
30	1	520.604	CUTTER ROTOR KIT 1800 WITH FORAGE KNIVES
31	2	631.175	TAB 10x8x36
32	1	631.048	CUTTER DRIVE
33	1	631.115	100cc ORBITAL MOTOR
33	2	631.174	GROOVED HUB 48x44 CYLINDRICAL Ø 32
34	2	631.173	GROOVED HUB 48x44 Z23 Z29 62x57 INTERNAL
36	1	631.156	CUTTER REDUCER RR510 MS WITH SAE B FITTINGS
37	1	520.610	CONVEYOR ROLL 1800
38	1	631.178	SUPPORT UCF 208 D.40
39	1	631.170	SUPPORT UCFC D.35

POS.	QTY	CODE	DESCRIPTION
1	1	520.646	CUTTER ROTOR KIT 1800 WITH SILAGE KNIVES
1.1	1	520.603	CUTTER ROTOR 1800
1.2	21	631.190	LEFT BENT CUTTER KNIFE TH. 4mm HOLES Ø8.5
1.3	21	631.189	RIGHT BENT CUTTER KNIFE TH. 4mm HOLES Ø8.5
1.4	76	630.259	SCREW TCEI M8x20 UNI 5931 8.8 Zn
1.5	80	610.454	LOCKNUT M8 UNI 7473 8.8 Zn
1.6	4	600.406	SCREW TCEI M8x25 UNI 5931 8.8 Zn
2	1	520.604	CUTTER ROTOR KIT 1800 WITH FORAGE KNIVES
2.1	1	520.603	CUTTER ROTOR 1800
2.2	40	631.168	RIGHT INCLINED CUTTER KNIFE TH. 4mm HOLES Ø8.5
2.3	40	631.169	RIGHT INCLINED CUTTER KNIFE TH. 4mm HOLES Ø8.5
2.4	160	630.259	SCREW TCEI M8x20 UNI 5931 8.8 Zn
2.5	160	610.454	LOCKNUT M8 UNI 7473 8.8 Zn



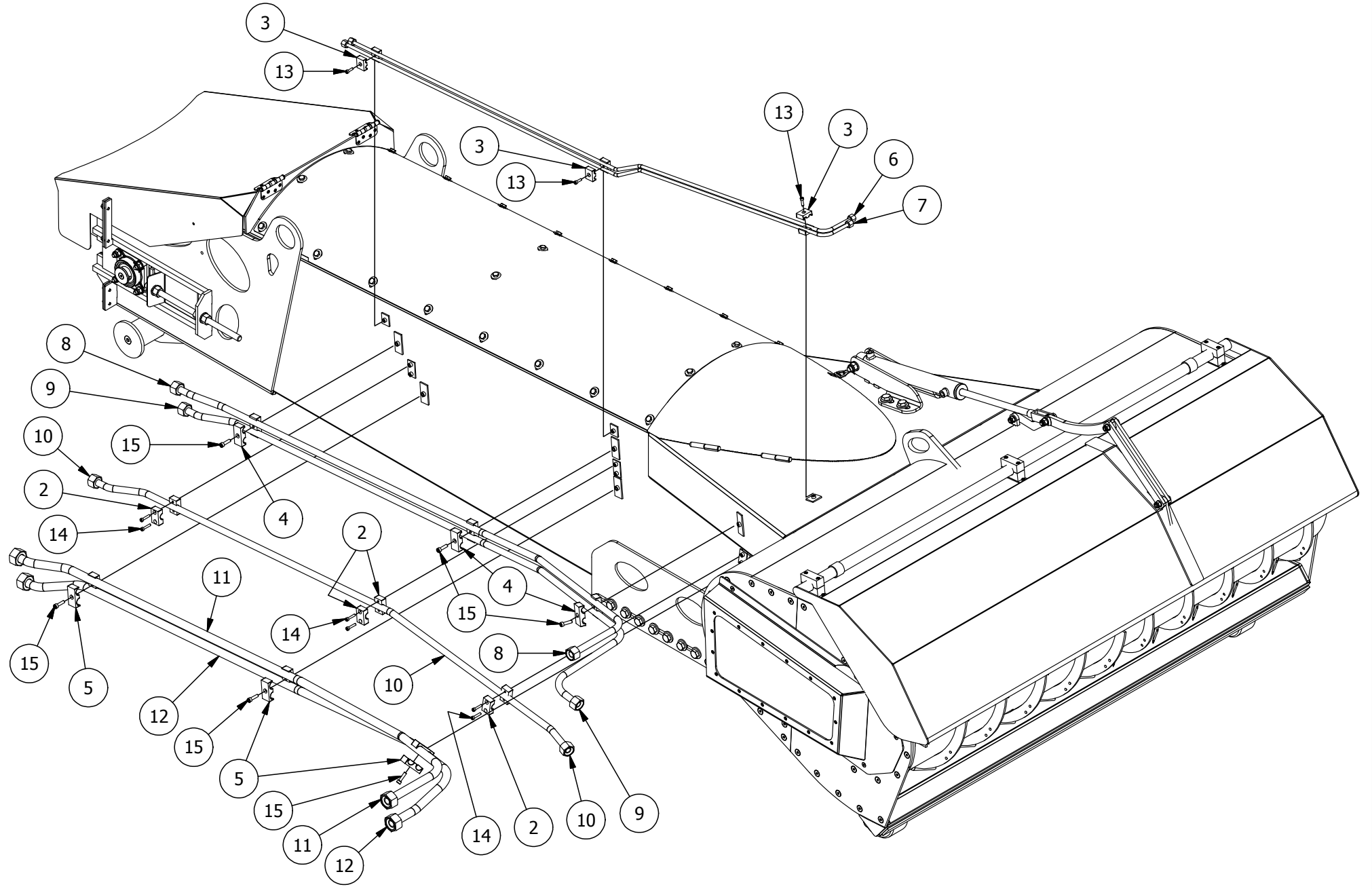


**TABLE NO.
520.761-P1****CUTTER ARM ASSEMBLY (ROLLS AND BELT)**

POS.	QTY	CODE	DESCRIPTION
1	2	631.176	SEEGER STOP RING I 43 UNI 7437
2	2	631.177	SEEGER STOP RING I 57 UNI 7437
3	5	600.029	NUT CL M10 DIN 980 KL 8.8 Zn
4	4	631.306	LOCKNUT M10 UNI 7473 8.8 Zn
5	11	610.454	LOCKNUT M8 UNI 7473 8.8 Zn
6	2	520.626	HYDRAULIC MOTOR SPACER
7	8	600.599	NUT M18 UNI 5587 8.8 Zn
8	12	600.366	LOCKNUT M12 UNI 7473 8.8 Zn
9	1	520.622	STAINLESS STEEL BENT TH. 5mm FOR DRIVEN ROLL SCRAPER
10	1	520.627	BENT SHEET TH. 1mm FOR RIGHT COVER LOCK
11	1	520.625	BENT SHEET TH. 1mm FOR LEFT COVER LOCK
12	2	520.621	BENT SHEET TH. 3mm FOR SLOT LOCK
13	1	520.634	BENT SHEET TH. 3mm FOR RUBBER SCRAPER FIXING
14	2	520.647	BENT FLANGED SHEET TH. 6mm FOR ROLL FIXING
15	2	520.616	FLAT SHEET TH. 8mm FOR MOTOR CASE HOLDER
16	2	520.664/a	FLAT SHEET 25X8 FOR CUTTER BELT CONNECTION
17	1	520.649	CUTTER BELT SCRAPER
18	1	520.632	CUTTER BELT MOTOR ROLL SCRAPER
19	22	600.089	FLAT WASHER Øi13 UNI 6592 8.8 Zn
20	10	600.756	FLAT WASHER Øi19 UNI 6592 8.8 Zn
21	6	600.115	FLAT WASHER Øi8.4 UNI 6592 8.8 Zn
22	1	520.617	SUPPORT CASE FOR BELT ROLL MOTOR
23	2	520.623	CUTTER BELT ROLL TIGHTENER BRACKET
24	4	600.154	SCREW TE M12 x 45 UNI 5739 8.8 Zn
25	6	600.223	SCREW TE M8 x 20 UNI 5739 8.8 Zn
26	12	620.868	SCREW TCEI M10x30 UNI 5931 8.8 Zn
27	12	631.362	SCREW TCEI M12x30 UNI 5931 8.8 Zn
28	2	631.365	SCREW TSPEI M10 x30 UNI 5933 8.8 Zn
29	2	631.172	FLANGED JOINT D.114 Z29 62x57 H.55.5
30	1	520.635	RUBBER CANVAS TH. 10mm FOR CUTTER BELT SCRAPER
31	2	631.175	TAB 10x8x36
32	1	631.116	130cc ORBITAL MOTOR
33	2	631.174	GROOVED HUB 48x44 OF CYLINDER Øi 32
34	2	631.173	GROOVED HUB 48x44 Z23 Z29 62x57 INTERNAL
35	1	520.758	CUTTER RUBBER BELT 575 +5-3mm STRIPS TH.12 H.40 PITCH 280mm CUTTER 140
35	1	520.633	CUTTER RUBBER BELT 575 +5-3mm STRIPS TH.12 H.40 PITCH 280mm CUTTER 170
35	1	520.709	CUTTER RUBBER BELT 575 +5-3mm STRIPS TH.12 H.40 PITCH 280mm CUTTER 200
36	1	520.613	DRIVEN ROLL OF CUTTER BELT
37	1	520.614	DRIVE ROLL OF CUTTER BELT
38	23	620.250	FLAT WASHER L Øi11 x Øe30 UNI 6593 8.8 Zn
39	5	630.159	FLAT WASHER L Øi9 x Øe24 UNI 6593 8.8 Zn
40	13	600.322	FLAT WASHER Øi10,5 UNI 6592 8.8 Zn
41	46	600.115	FLAT WASHER Øi8.4 UNI 6592 8.8 Zn
42	3	631.171	UCF SUPPORT 207 D.35
43	13	600.061	SCREW TE M8 x 16 UNI 5739 8.8 Zn
44	12	600.223	SCREW TE M8 x 20 UNI 5739 8.8 Zn
45	11	631.366	SCREW TE M8 x 50 UNI 5739 10.9 Zn
46	5	631.367	SCREW TSPEI M10 x30 UNI 5933 Aisi 304

**TABLE NO.
520.761-P2**

CUTTER ARM ASSEMBLY (HYDRAULIC TUBE KIT)



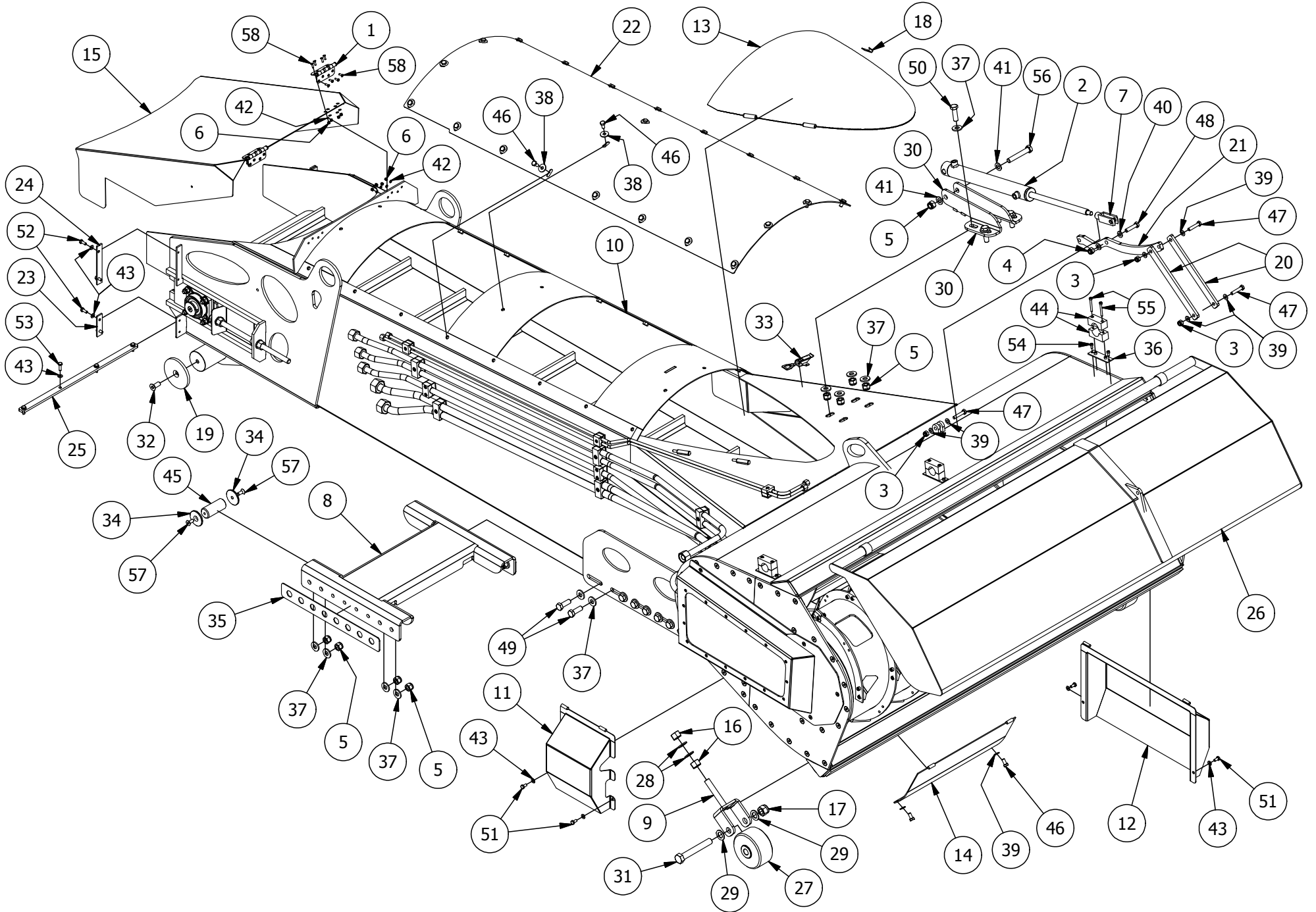
**TABLE NO.
520.761-P2**

CUTTER ARM ASSEMBLY (HYDRAULIC TUBE KIT)

POS.	QTY	CODE	DESCRIPTION
1	32	520.948	WASHER Øe 36mm Øi 16.4mm TH.4mm
2	6	631.194	SEMICOLLAR CLC4 20 PP BLACK (SINGLE TUBE D20)
3	6	631.192	SEMICOLLAR CLCF1 10/10 PP BLACK (DOUBLE TUBE D10)
4	6	631.193	SEMICOLLAR CLCF3 20/20 PP BLACK (DOUBLE TUBE D20)
5	6	631.195	SEMICOLLAR CLCF3 25/25 PP BLACK (DOUBLE TUBE D25)
6	1	520.658	TUBE Ø10 TH.1.5mm FOR DELIVERY OF CUTTER PROT. CYLINDER
7	1	520.657	TUBE Ø10 TH.1.5mm FOR RETURN OF CUTTER PROT. CYLINDER
8	1	520.656/a	TUBE Ø20 TH.1.5mm FOR CUTTER ROTOR MOTOR DRAIN
9	1	520.655	TUBE Ø20 TH.3mm FOR DELIVERY OF CONVEYOR ROLL MOTOR
10	1	520.654	TUBE Ø20 TH.3mm FOR RETURN OF CONVEYOR ROLL MOTOR
11	1	520.653	TUBE Ø25 TH.3mm FOR DELIVERY OF CUTTER ROTOR MOTOR
12	1	520.652	TUBE Ø25 TH.3mm FOR RETURN OF CUTTER ROTOR MOTOR
13	3	610.424	SCREW TCEI M6x20 UNI 5931 8.8 Zn
14	6	610.040	SCREW TCEI M6x30 UNI 5931 8.8 Zn
15	6	600.408	SCREW TCEI M8x30 UNI 5931 8.8 Zn

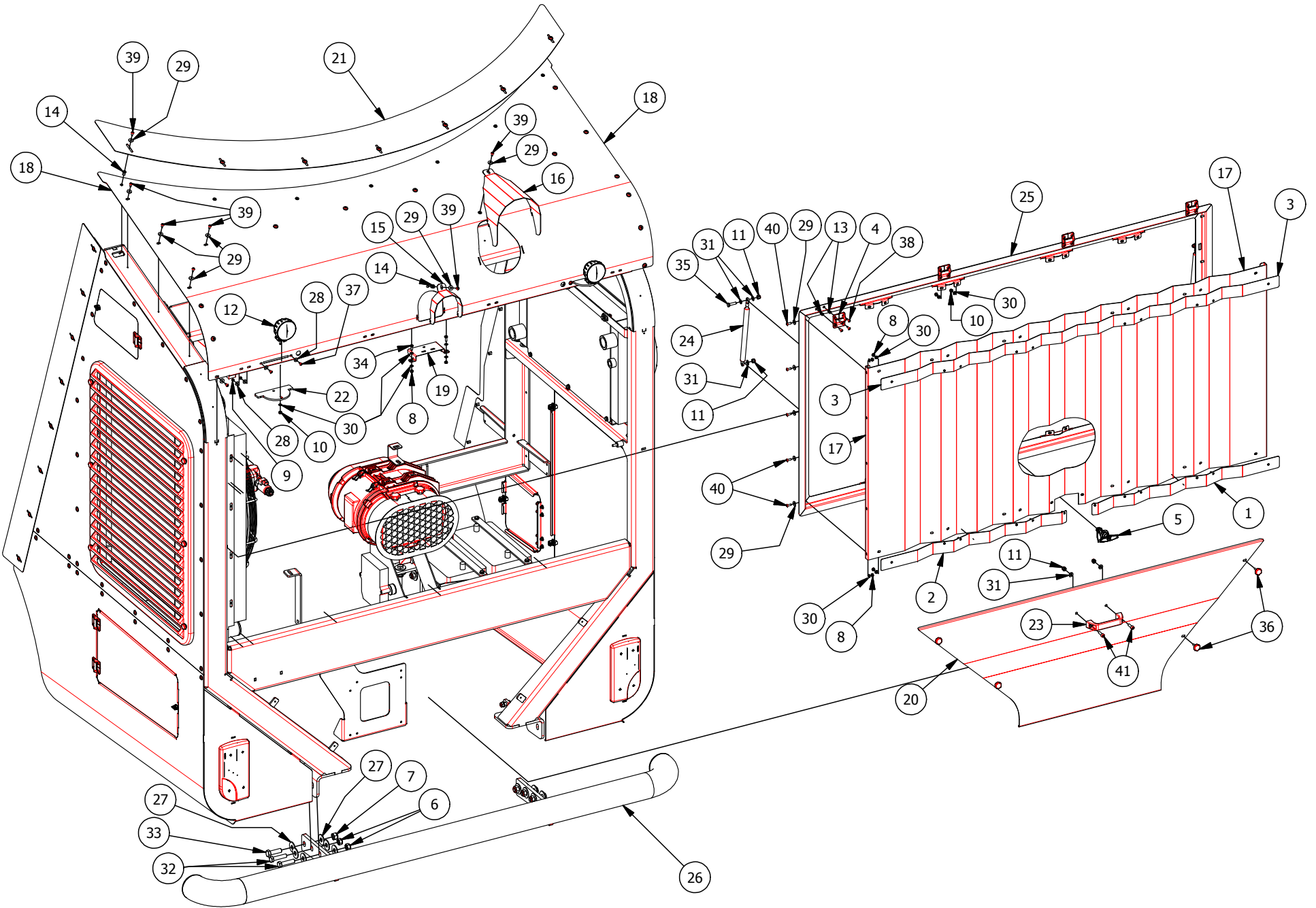
TABLE NO.
520.761-P3

CUTTER ARM ASSEMBLY



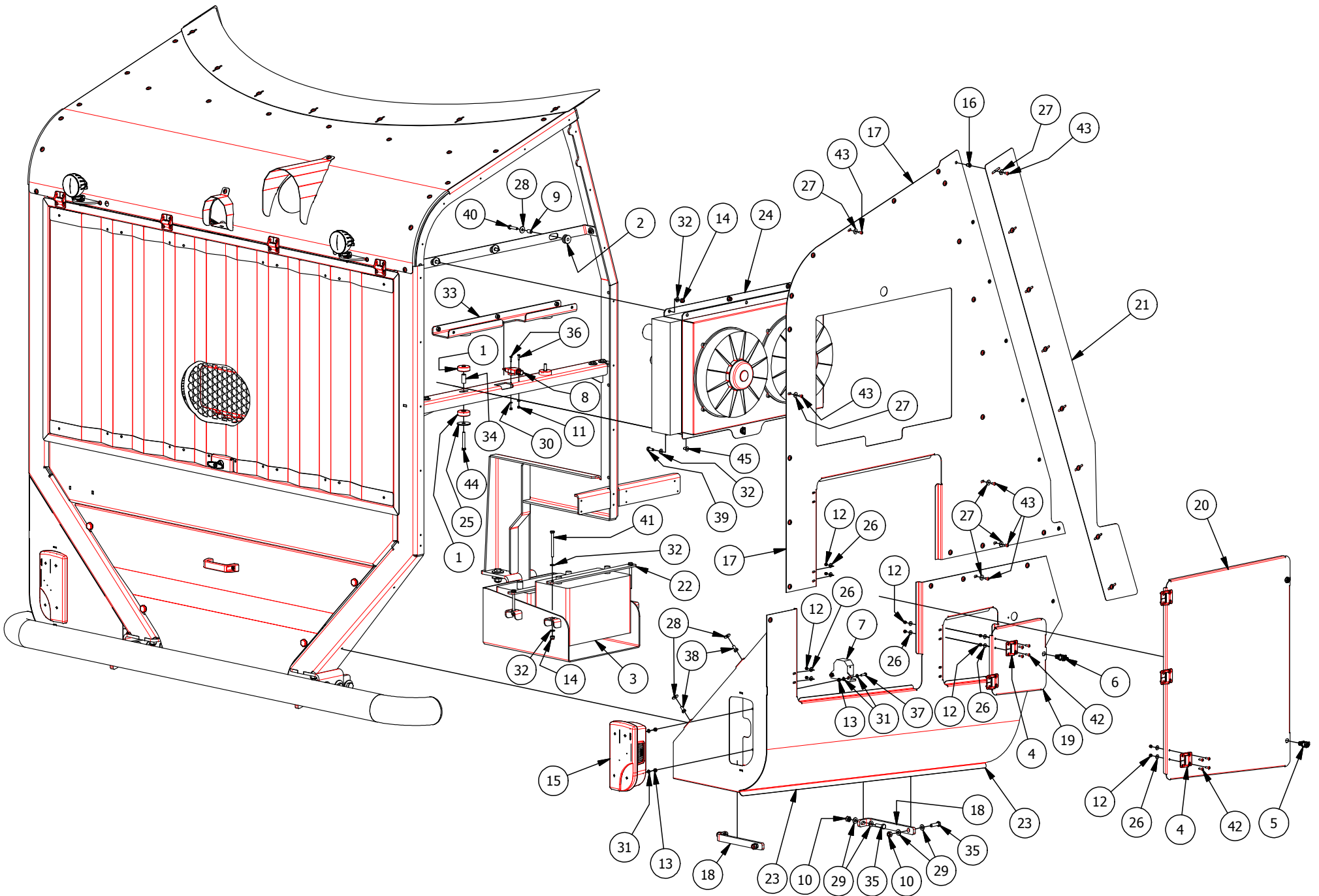
**TABLE NO.
520.761-P3**
CUTTER ARM ASSEMBLY

POS.	QTY	CODE	DESCRIPTION
1	2	631.188	STAINLESS STEEL HINGE WITH ROUNDED OFF EDGES
2	1	520.636	OLEODYNAMIC CYLINDER 40-50-20 STROKE OF 295mm
3	4	631.306	LOCKNUT M10 UNI 7473 8.8 Zn
4	1	600.366	LOCKNUT M12 UNI 7473 8.8 Zn
5	13	600.197	LOCKNUT M16 UNI 7473 8.8 Zn
6	16	630.266	LOCKNUT M5 UNI 7473 8.8 Zn
7	1	631.183	FORK WITH THREADED HOLE M14 L=101 DIN 71752
8	1	520.361	CUTTER CYLINDER COUPLING
9	2	520.628	ADJUSTABLE COUPLING FOR CUTTER WHEEL
10	1	520.756	CUTTER ARM 140
10	1	520.600	CUTTER ARM 170
10	1	520.706	CUTTER ARM 200
11	1	520.630	COVER FOR CUTTER RIGHT SLOT CLOSURE
12	1	520.631	COVER FOR CUTTER LEFT SLOT CLOSURE
13	1	520.629	CUTTER CONVEYOR COVER
14	1	520.639	CUTTER LOWER BUCKET COVER
15	1	520.624	CUTTER UPPER COVER
16	4	631.363	NUT M20 UNI 5587 8.8 Zn
17	2	631.359	LOCKNUT M22 UNI 7473 8.8 Zn
18	1	631.182	STAINLESS STEEL CLOSING HOOK
19	2	520.645	SHEET TH. 10mm FOR ROTATION PIN FIXING
20	2	520.638	SHEET TH. 10mm FOR PROTECTION LEVER
21	1	520.637	SHAPED FLAT SHEET TH. 12mm FOR PROTECTION LEVER
22	1	520.757	BENT SHEET TH. 3mm FOR ARM COVER OF CUTTER 140
22	1	520.619	BENT SHEET TH. 3mm FOR ARM COVER OF CUTTER 170
22	1	520.707	BENT SHEET TH. 3mm FOR ARM COVER OF CUTTER 200
23	2	520.641	FLAT PIECE 25x5 FOR LOWER RUBBER FIXING
24	2	520.642	FLAT PIECE 25x5 FOR UPPER RUBBER FIXING
25	1	520.618	FLAT PIECE 25x5 FOR CENTRAL RUBBER FIXING
26	1	520.643	CUTTER ROTOR PROTECTION
27	2	520.620	CUTTER SLIDING WHEEL
28	4	600.632	FLAT WASHER Øi21 UNI 6592 8.8 Zn
29	4	600.042	FLAT WASHER Øi23 UNI 6592 8.8 Zn
30	1	520.640	COUPLING BRACKET FOR CUTTER PROTECTION CYLINDER
31	2	620.019	SCREW TE M22 x 150 UNI 5737 8.8 Zn
32	2	631.364	SCREW TSPEI M14 x35 UNI 5933 8.8 Zn
33	1	631.181	STAINLESS STEEL HOOK FOR ADJUSTABLE LEVER LOCK
34	4	520.935	FLANGED SHEET TH.5mm FOR CYLINDER FIXING
35	2	520.651	SHEET TH. 3mm FOR CUTTER CYLINDER COUPLING
36	3	631.198	EXTENDED LOWER PLATE CLBL6
37	32	520.948	WASHER Øe 36mm Øi 16.4mm TH.4mm
38	23	620.250	FLAT WASHER L Øi11 x Øe30 UNI 6593 8.8 Zn
39	13	600.322	FLAT WASHER Øi10,5 UNI 6592 8.8 Zn
40	2	600.089	FLAT WASHER Øi13 UNI 6592 8.8 Zn
41	2	600.031	FLAT WASHER Øi17 UNI 6592 8.8 Zn
42	16	600.672	FLAT WASHER Øi5,3 UNI 6592 8.8 Zn
43	46	600.115	FLAT WASHER Øi8,4 UNI 6592 8.8 Zn
44	6	631.031	SEMICOLLAR CLC6 35 PP BLACK (SINGLE TUBE D35)
45	2	520.648/a	DRAWN PIECE Ø40 FOR CUTTER CYLINDER COUPLING
46	24	600.227	SCREW TE M10 x 20 UNI 5739 8.8 Zn
47	3	600.402	SCREW TE M10 x 50 UNI 5739 8.8 Zn
48	1	600.750	SCREW TE M12 x 50 UNI 5739 8.8 Zn
49	8	610.167	SCREW TE M16 x 45 UNI 5739 8.8 Zn
50	4	600.384	SCREW TE M16 x 50 UNI 5739 8.8 Zn
51	13	600.061	SCREW TE M8 x 16 UNI 5739 8.8 Zn
52	12	600.223	SCREW TE M8 x 20 UNI 5739 8.8 Zn
53	4	600.702	SCREW TE M8 x 25 UNI 5739 8.8 Zn
54	6	631.361	SCREW TCEI M6x12 UNI 5931 8.8 Zn
55	6	631.360	SCREW TCEI M6x50 UNI 5931 8.8 Zn
56	1	600.178	SCREW TE M16 x 100 UNI 5737 8.8 Zn
57	4	631.316	SCREW TSPEI M10 x25 UNI 5933 8.8 Zn
58	16	631.355	SCREW TSPEI M5 x16 UNI 5933 Aisi 304



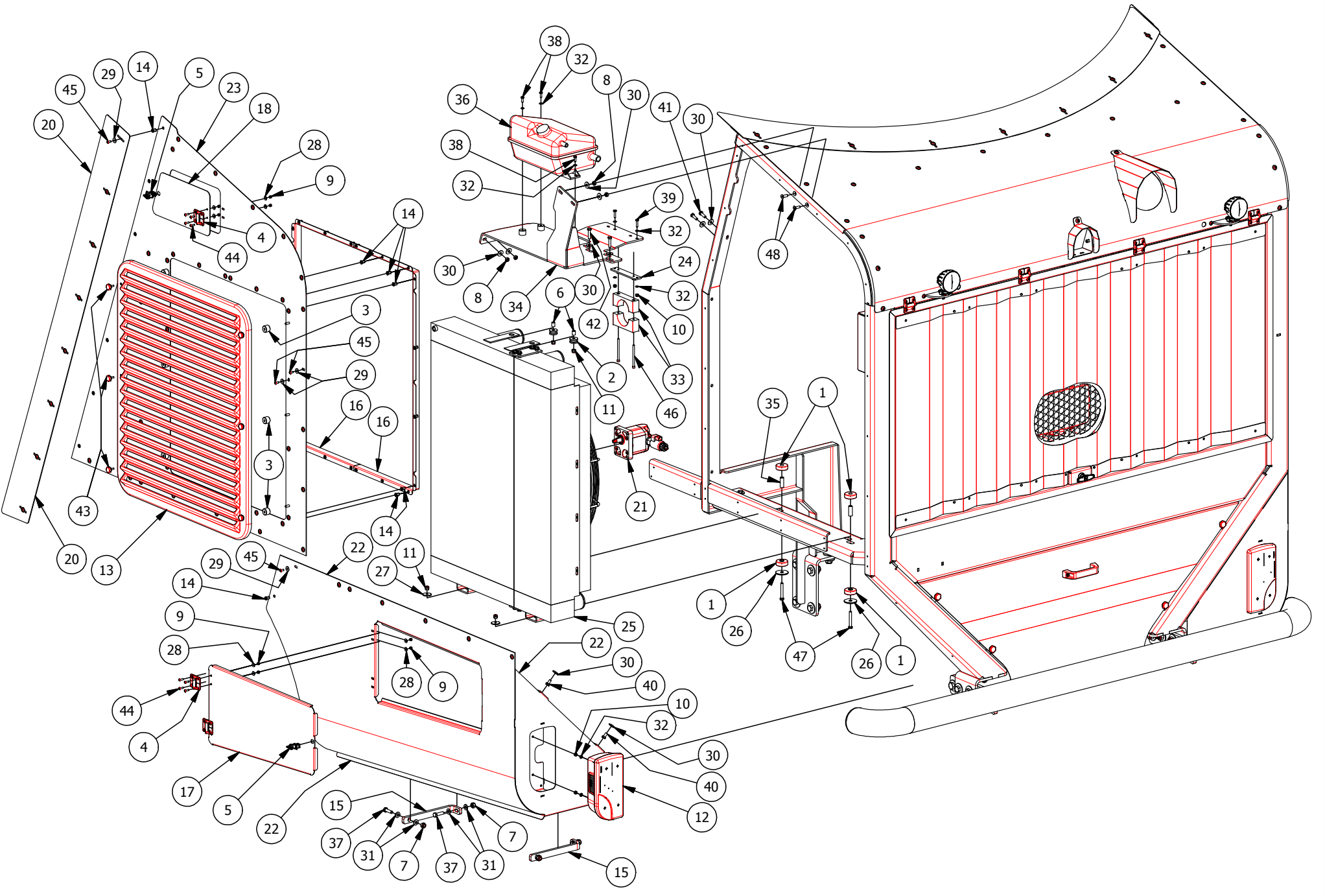
**TABLE NO.
520.412-P1****BACK MOTOR COMPARTMENT KIT (BACK SIDE)**

POS.	QTY	CODE	DESCRIPTION
1	1	520.517/a	SHEET FIXING PLATE FOR LOWER RIGHT DOOR
2	1	520.518/a	SHEET FIXING PLATE FOR LOWER LEFT DOOR
3	1	520.516/a	SHEET FIXING PLATE FOR UPPER DOOR
4	13	631.078	HINGE 57X51 HOLES Ø5.2 CENTRE DISTANCE 34mm
5	1	631.138	HANDLE PRESSURE LOCK
6	20	600.075	NUT CL M14 DIN 980 KL 8.8 Zn
7	2	600.080	NUT CL M16 DIN 980 KL 8.8 Zn
8	16	600.472	NUT CL M6 DIN 980 KL 8.8 Zn
9	40	630.266	LOCKNUT M5 UNI 7473 8.8 Zn
10	28	630.021	LOCKNUT M6 UNI 7473 8.8 Zn
11	17	610.454	LOCKNUT M8 UNI 7473 8.8 Zn
12	2	631.135	WORKING LIGHT
13	8	631.154	STEEL CYLINDRICAL-HEAD HEXAGONAL-STEM M5 INSERT
14	45	631.129	STEEL CYLINDRICAL-HEAD HEXAGONAL-STEM M6 INSERT
15	1	520.531	BENT SHEET FOR CAMERA COVER TH. 2mm
16	1	520.522	BENT SHEET FOR SILENCER OUTLET COVER TH. 2mm
17	1	520.515/a	DRILLED BENT SHEET TH. 1.5 HOLES Ø4 FOR BACK DOOR
18	1	520.530	BENT SHEET TH. 2mm FOR UPPER PANEL OF BACK COMPARTMENT
19	1	520.532	BENT SHEET TH. 2mm FOR CAMERA SUPPORT
20	1	520.287/a	BENT SHEET TH. 2mm FOR BACK TRIANGLE
21	1	520.787	UPPER ADJUSTMENT SHEET ON MIXING TANK TH. 2mm FOR 140
21	1	520.268/a	UPPER ADJUSTMENT SHEET ON MIXING TANK TH. 2mm FOR 170-200
22	2	520.521	BACK WORKING LIGHT SUPPORT SHEET
23	1	631.100	"U" HANDLE, CENTRE DISTANCE 132
24	2	631.132	GAS SPRING, STROKE 500mm
25	1	520.288/a	BACK DOOR OF MOTOR COMPARTMENT
26	1	520.909	BACK ROLL-BAR
21	44	631.377	FLAT WASHER L Øi16 x Øe42 UNI 6593 8.8 Zn
27	44	631.610	FLAT WASHER L Øi5,5 x Øe15 UNI 6593 8.8 Zn BLACK
28	127	631.604	FLAT WASHER L Øi6,6 x Øe18 UNI 6593 8.8 Zn BLACK
31	53	600.514	FLAT WASHER Øi6,4 UNI 6592 8.8 Zn
32	22	600.115	FLAT WASHER Øi8,4 UNI 6592 8.8 Zn
32	4	631.378	SCREW TE M14 x 60 UNI 5739 8.8 Zn
33	2	600.384	SCREW TE M16 x 50 UNI 5739 8.8 Zn
37	5	630.104	SCREW TE M6 x 16 UNI 5739 8.8 Zn
35	2	600.757	SCREW TE M8 x 30 UNI 5739 8.8 Zn
36	4	631.210	MALE LOBE THREADED KNOB M6x20
37	4	631.609	SCREW TBCE M5 x 12 ISO 7380 8.8 Zn BLACK
43	48	631.608	SCREW TBCE M5 x 16 ISO 7380 8.8 Zn BLACK
44	117	631.603	SCREW TBCE M6 x 12 ISO 7380 8.8 Zn BLACK
40	10	631.607	SCREW TBCE M6 x 16 ISO 7380 8.8 Zn BLACK
41	2	600.406	SCREW TCEI M8x25 UNI 5931 8.8 Zn



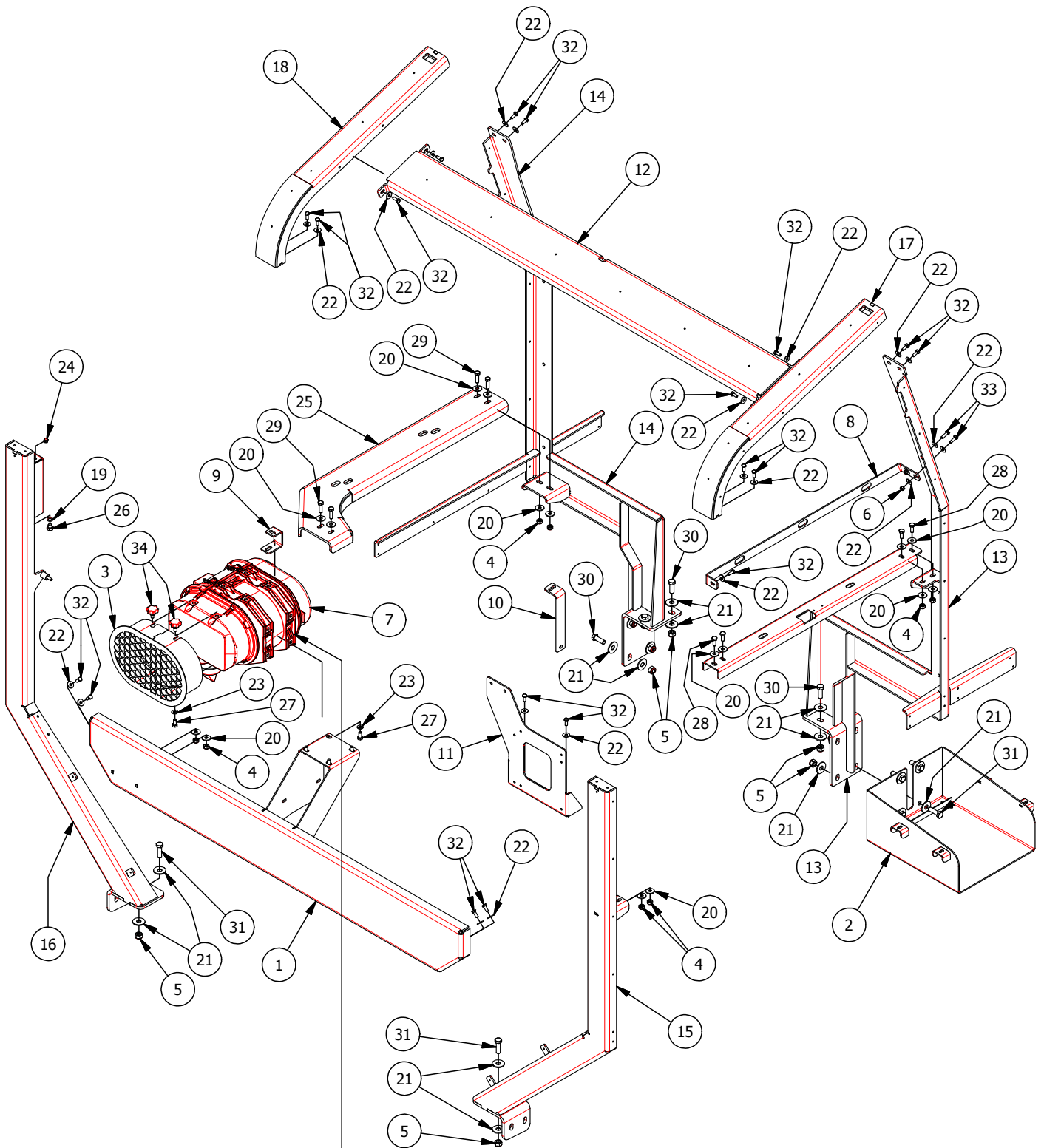
**TABLE NO.
520.412-P2****BACK MOTOR COMPARTMENT KIT (RIGHT SIDE)**

POS.	QTY	CODE	DESCRIPTION
1	8	631.500	LOWER RADIATOR VIB. DAMPER D.14/45xTH.18 J1177
2	5	631.504	UPPER RADIATOR VIB. DAMPER D10/30xTH.16 J1175
3	2	631.754	JOHN-DEERE STRONG BOX BATTERY DTY6128
4	13	631.078	HINGE 57X51 HOLES Ø5.2 CENTRE DISTANCE 34mm
5	2	631.136	GROOVED PRESSURE LOCK
5	3	631.137	LATCH
7	1	631.577	SELF-ADJUSTING REVERSING INTERMITTENT SOUND ALARM
8	1	631.191	QUICK RELEASE DEVIATOR
6	5	631.505	TUBE SPACER D.9/12xL.15
4	16	600.029	NUT CL M10 DIN 980 KL 8.8 Zn
11	2	610.718	LOCKNUT M4 UNI 7473 8.8 Zn
9	40	630.266	LOCKNUT M5 UNI 7473 8.8 Zn
10	28	630.021	LOCKNUT M6 UNI 7473 8.8 Zn
11	17	610.454	LOCKNUT M8 UNI 7473 8.8 Zn
15	1	631.139	RIGHT BACK LIGHT
14	45	631.129	STEEL CYLINDRICAL-HEAD HEXAGONAL-STEM M6 INSERT
17	1	520.788	RIGHT PANEL SHEET TH. 2mm FOR 140
17	1	520.526	RIGHT PANEL SHEET TH. 2mm FOR 170-200
15	4	520.279	BENT SHEET FOR LOWER HOOT COUPLING TH. 10mm
19	1	520.272/a	BENT SHEET FOR BATTERY INSPECTION DOOR TH. 2mm
20	1	520.276/a	BENT SHEET FOR MOTOR BELT INSPECTION DOOR TH. 2mm
21	1	520.789	ADJUSTMENT SHEET ON RIGHT MIXING TANK TH. 2mm FOR 140
21	1	520.262/a	ADJUSTMENT SHEET ON RIGHT MIXING TANK TH. 2mm FOR 170-200
22	2	520.261/a	UPPER BATTERY STOP SHEET TH. 6mm
23	1	520.280/a	LOWER RIGHT PANEL FOR MOTOR COMPARTMENT
24	1	631.038	OIL RADIATOR
25	4	631.502	ZINC-COATED WASHER Ø 12-48 TH.2.5.UNI6593 014510
27	44	631.610	FLAT WASHER L Øi5,5 x De15 UNI 6593 8.8 Zn BLACK
28	127	631.604	FLAT WASHER L Øi6,6 x De18 UNI 6593 8.8 Zn BLACK
22	38	630.159	FLAT WASHER L Øi9 x De24 UNI 6593 8.8 Zn
23	21	600.322	FLAT WASHER Øi10,5 UNI 6592 8.8 Zn
30	2	600.672	FLAT WASHER Øi5,3 UNI 6592 8.8 Zn
31	53	600.514	FLAT WASHER Øi6,4 UNI 6592 8.8 Zn
32	22	600.115	FLAT WASHER Øi8,4 UNI 6592 8.8 Zn
33	1	520.271	HYDRAULIC OIL RADIATOR SUPPORT
34	2	520.451	TUBE FOR LOWER VIB. DAMPER D.10,5/14x32
29	12	600.641	SCREW TE M10 x 35 UNI 5739 8.8 Zn
36	2	620.275	SCREW TE M4 x 16 UNI 5739 8.8 Zn
37	2	630.003	SCREW TE M6 x 20 UNI 5739 8.8 Zn
39	4	600.061	SCREW TE M8 x 16 UNI 5739 8.8 Zn
32	22	600.223	SCREW TE M8 x 20 UNI 5739 8.8 Zn
41	5	600.851	SCREW TE M8 x 35 UNI 5739 8.8 Zn
41	4	630.011	SCREW TE M8 x 90 UNI 5739 8.8 Zn
43	48	631.608	SCREW TBCE M5 x 16 ISO 7380 8.8 Zn BLACK
44	117	631.603	SCREW TBCE M6 x 12 ISO 7380 8.8 Zn BLACK
46	4	610.525	SCREW TE M8 x 60 UNI 5737 8.8 Zn
45	3	631.384	SCREW TSPEI M8 x16 UNI 5933 8.8 Zn



**TABLE NO.
520.412-P3****BACK MOTOR COMPARTMENT KIT (LEFT SIDE)**

POS.	QTY	CODE	DESCRIPTION
1	8	631.500	LOWER RADIATOR VIBRATION DAMPER D.14/45xTH.18
2	5	631.504	UPPER RADIATOR VIBRATION DAMPER D10/30xTH.16
3	6	520.529	NYLON BUSH FOR GRID CONNECTION
4	13	631.078	HINGE 57X51 HOLES Ø5.2 CENTRE DISTANCE 34mm
5	3	631.137	LATCH
6	5	631.505	TUBE SPACER D.9/12Xl.15
7	16	600.029	NUT CL M10 DIN 980 KL 8.8 Zn
8	6	600.076	NUT CL M8 DIN 980 KL 8.8 Zn
9	40	630.266	LOCKNUT M5 UNI 7473 8.8 Zn
10	28	630.021	LOCKNUT M6 UNI 7473 8.8 Zn
11	17	610.454	LOCKNUT M8 UNI 7473 8.8 Zn
12	1	631.140	BACK LEFT LIGHT
13	1	520.273	RADIATOR COVER GRID 800x935
14	45	631.129	STEEL CYLINDRICAL-HEAD HEXAGONAL-STEM M6 INSERT
15	4	520.279	BENT SHEET FOR LOWER COMPARTM. COUPLING TH.10mm
16	2	520.523	BENT SHEET FOR RUBBER EDGE HOLDER TH.2mm
17	1	520.277/a	BENT SHEET FOR HYDR.PUMP INSPECTION DOOR TH.2mm
18	1	525.393	SHEET FOR EXPAN. TRAY INSPECTION DOOR TH.2mm
19	1	520.786	LEFT ADJUST. SHEET ON MIXING TANK TH.2mm FOR 140
20	1	520.267/a	LEFT ADJUST. SHEET ON MIXING TANK TH.2mm FOR 170-200
21	1	631.521	RIGHT GEAR MOTOR FOR GROUP 2 14CC. WITH PROP.VALVE
22	1	520.281/a	LEFT LOWER PANEL OF MOTOR COMPARTMENT
23	1	520.524	LEFT SIDE PANEL FOR MOTOR COMPARTMENT
24	1	631.586	EXTENDED LOWER PLATE PL8
25	1	631.516	RADIATOR COMPLETE WITH FAN
26	4	631.502	WASHER Ø 12-48 TH.2.5 ZINC-COATED UNI6593 014510
27	2	631.503	WASHER Ø 8-32 TH.2.5 ZINC-COATED UNI6593 0145
28	44	631.610	FLAT WASHER L Øi5,5 x Øe15 UNI 6593 8.8 Zn BLACK
29	127	631.604	FLAT WASHER L Øi6,6 x Øe18 UNI 6593 8.8 Zn BLACK
30	38	630.159	FLAT WASHER L Øi9 x Øe24 UNI 6593 8.8 Zn
31	21	600.322	FLAT WASHER Øi10,5 UNI 6592 8.8 Zn
32	53	600.514	FLAT WASHER Øi6,4 UNI 6592 8.8 Zn
33	2	631.587	SEMICOLLAR C8 70 BLACK (SINGLE TUBE D70)
34	1	520.270/b	RADIATOR SUPPORT AND WATER TRAY
35	2	631.501	TUBE FOR LOWER VIBRATION DAMPER Ø 10,5/14x38
36	1	631.506	EXPANSION VASE Øe 7.2LT 1BAR PLASTIC
37	12	600.641	SCREW TE M10 x 35 UNI 5739 8.8 Zn
38	5	630.104	SCREW TE M6 x 16 UNI 5739 8.8 Zn
39	2	600.202	SCREW TE M6 x 25 UNI 5739 8.8 Zn
40	4	600.061	SCREW TE M8 x 16 UNI 5739 8.8 Zn
41	4	600.702	SCREW TE M8 x 25 UNI 5739 8.8 Zn
42	5	600.851	SCREW TE M8 x 35 UNI 5739 8.8 Zn
43	6	630.486	MALE LOBE THREADED KNOB M5x15 Ø 23
44	48	631.608	SCREW TBCE M5 x 16 ISO 7380 8.8 Zn BLACK
45	117	631.603	SCREW TBCE M6 x 12 ISO 7380 8.8 Zn BLACK
46	2	631.395	SCREW TCEI M6x85 UNI 5931 8.8 Zn
47	4	610.525	SCREW TE M8 x 60 UNI 5737 8.8 Zn
48	2	631.380	SCREW TSPEI M8 x25 UNI 5933 8.8 Zn



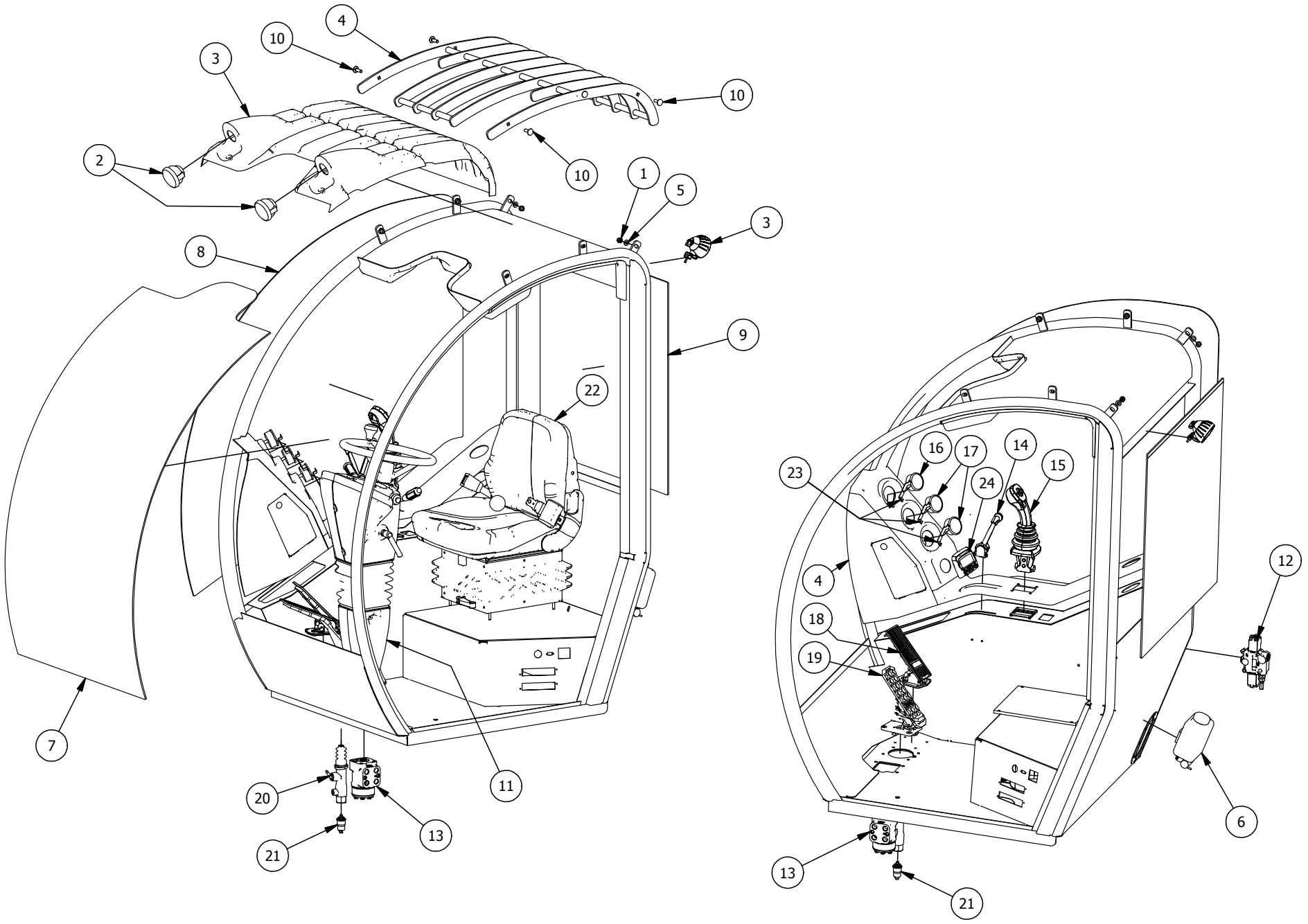
PRIMARY CARTRIDGE COD. 631.703
SECONDARY CARTRIDGE COD. 631.704

**TABLE NO.
520.412-P4****BACK MOTOR COMPARTMENT KIT (BEARING FRAME)**

POS.	QTY	CODE	DESCRIPTION
1	1	520.297	BACK BAR OF MOTOR COMPARTMENT
2	1	520.260/a	BATTERY CASE OF MOTOR COMPARTMENT
3	1	520.278/a	J.D. POWER-CORE FILTER AIR CONVEYOR
4	16	600.029	NUT CL M10 DIN 980 KL 8.8 Zn
5	20	600.075	NUT CL M14 DIN 980 KL 8.8 Zn
6	6	600.076	NUT CL M8 DIN 980 KL 8.8 Zn
7	1	631.511	POWER-CORE 10" SHORT HORIZONTAL AIR FILTER
8	1	520.275	BENT SHEET FOR UPPER OIL RADIATOR FIXING TH.4mm
9	1	520.264	BENT SHEET FOR OUTLET INTERCOOLER TUBE FIXING TH.4mm
10	1	520.263	BENT SHEET FOR OUTLET INTERCOOLER TUBE FIXING TH.6mm
11	1	520.398	BENT SHEET FOR DIESEL FILTER SUPPORT TH.4mm
12	1	520.291	BENT SHEET FOR CENTRAL CROSS PIECE TH.6mm
13	1	520.292/b	RIGHT FRONT UPRIGHT FOR MOTOR COMPARTMENT
14	1	520.295/a	LEFT FRONT UPRIGHT FOR MOTOR COMPARTMENT
15	1	520.293	RIGHT BACK UPRIGHT FOR MOTOR COMPARTMENT
16	1	520.296/a	LEFT BACK UPRIGHT FOR MOTOR COMPARTMENT
17	1	520.265	RIGHT CROSS UPRIGHT FOR MOTOR COMPARTMENT
18	1	520.294	LEFT CROSS UPRIGHT FOR MOTOR COMPARTMENT
19	1	630.376	COPPER WASHER 1/4" BONDED WITH GASKET
20	16	620.250	FLAT WASHER L Øi11 x Øe30 UNI 6593 8.8 Zn
21	44	631.377	FLAT WASHER L Øi16 x Øe42 UNI 6593 8.8 Zn
22	38	630.159	FLAT WASHER L Øi9 x Øe24 UNI 6593 8.8 Zn
23	21	600.322	FLAT WASHER Øi10,5 UNI 6592 8.8 Zn
24	1	631.588	BRONZE SILENCER 1/8" - GAS
25	1	520.290/a	WATER RADIATOR SUPPORT
26	1	632.130	FLARED MALE PLUG 1/4"
27	5	600.227	SCREW TE M10 x 20 UNI 5739 8.8 Zn
28	4	600.006	SCREW TE M10 x 25 UNI 5739 8.8 Zn
29	12	600.641	SCREW TE M10 x 35 UNI 5739 8.8 Zn
30	10	600.310	SCREW TE M14 x 40 UNI 5739 8.8 Zn
31	6	600.280	SCREW TE M14 x 45 UNI 5739 8.8 Zn
32	22	600.223	SCREW TE M8 x 20 UNI 5739 8.8 Zn
33	4	600.702	SCREW TE M8 x 25 UNI 5739 8.8 Zn
34	2	631.585	MALE SIX-LOBE THREADED KNOB M10x15

**TABLE NO.
520.752**

SELF-PROPELLED UNIT CAB



**TABLE NO.
520.752****SELF-PROPELLED UNIT CAB**

POS.	QTY	CODE	DESCRIPTION
1	6	631.306	LOCKNUT M10 UNI 7473 8.8 Zn
2	2	631.876	FRONT WORK LAMP
3	1	631.135	BACK WORK LAMP
4	1	520.397	UPPER ROLL-BAR FOR CAB ROOF
5	6	600.322	FLAT WASHER Ø110,5 UNI 6592 8.8 Zn
6	1	631.211	CAB SCREEN WIPER TRAY
7	1	520.430	FRONT CAB GLASS
8	1	631.207	SIDE CAB GLASS
9	1	631.208	BACK CAB GLASS
10	6	631.348	SCREW TTQST M10 x 35 ISO 8678 8.8 Zn
11	1	631.107	CONTROL COLUMN
12	1	631.060	HYDRAULIC POWER CUTTER DISTRIBUTOR
13	1	631.574	HYDRAULIC POWER STEERING
14	1	631.166	ELECTRONIC ACCELERATOR LEVER FOR J.D. MOTOR
15	1	631.072	ONE-AXIS MANIPULATOR
16	1	631.149	PRESSURE GAUGE 0/250bar
17	2	631.148	PRESSURE GAUGE 0/40bar
18	1	631.165	ACCELERATOR PEDAL
19	1	631.142	BRAKE PEDAL
20	1	631.141	BRAKE PUMP 27/20
21	1	631.146	BRAKE LIGHT MANOSTAT
22	1	631.575	PROACTIVE SEAT WITH MECHANICAL SUSPENSION AND HEADREST
23	3	631.150	PRESSURE GAUGE SUPPORT BRACKET
24	1	631.875	DIAGNOSTIC INSTRUMENT



AGRICULTURAL MACHINERY
sitrex® Spq .

Zona Industriale-Viale Grecia, 8
06018 TRESTINA-(Perugia)-ITALY
Tel. +39.075.8540021-Telefax +39.075.8540523
e-mail: sitrex@sitrex.it www.sitrex.com

